

EON DESIGNS
MHEC
PRICELIST
effective 4/01/2015
through
6/30/2018

E O N D E S I G N S
M O B I L I T E
 L E C T E R N S

PRICE LIST / SPECIFIER F.O.B. Norwich, CT
 effective 2009

<< MOBILITE >>

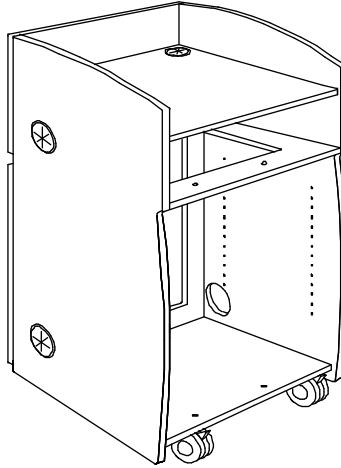
MobiLite is a de-featured version of the Mobilis Lectern. This format allows you to add as many or as few features as you require and control the cost. In addition, certain features can added after the initial purchase in order to upgrade the product.

GENERAL SPECIFICATIONS

1. MobiLite Lecterns have integrated wiremanagement, venting and casters and a "passthu" capability.
2. MobiLite Lecterns are standard in plastic laminate in the following finishes: Fusion Maple, Wild Cherry Phantom Gray Matrix, and Black.
3. Alternate finishes will be considered only for volume purchases.
4. All trim (including edges) is Black.
5. All panel core material is MDF (medium density fiberboard).

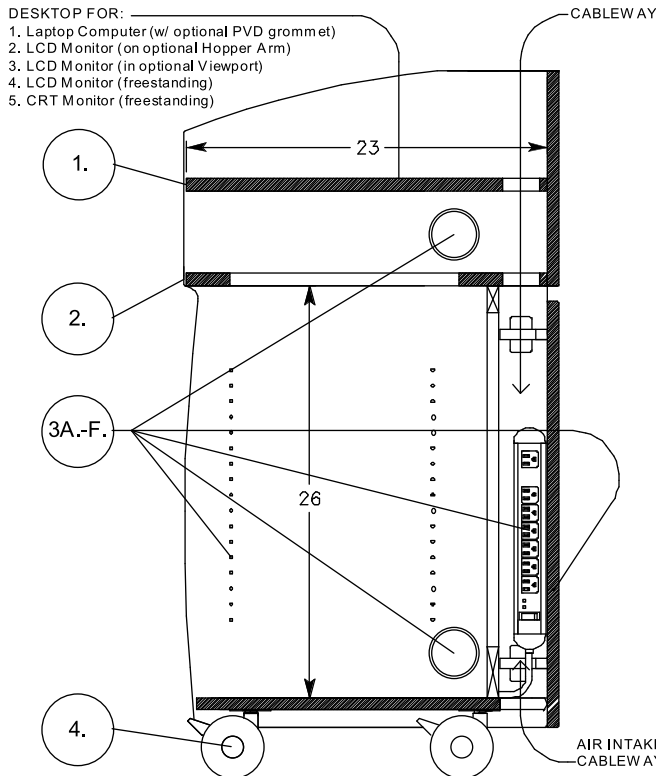
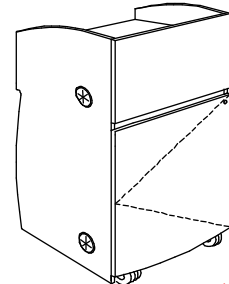
A. MOBILITE LECTERN / STANDARD FEATURES (schematic drawings below):	Lectern / Size	\$LIST
--	-----------------------	---------------

1. **Fixed Desktop** with (2) 60MM grommets at the rear corners. Grommets allow cord drop or mounting of Hopper Monitor Arm on either side.
2. **Dust Tray** with cutout for optional Viewport LCD monitor mount and (2) 60MM grommets.
3. **Open Storage Cabinet includes:**
 - A. Set up for adjustable shelves.
 - B. Set up for dual security bars.
 - C. Rear Door (lockable).
 - D. Passive Air Intake, Venting & Cableway
 - E. 80MM Pass-thru Grommets
 - F. 7-Outlet Surge Strip (with circuit breaker).
4. **4" Diameter Soft Casters w / Brake.**
5. **(4) Standard Laminate Finishes:**
 Choose from the options shown below.

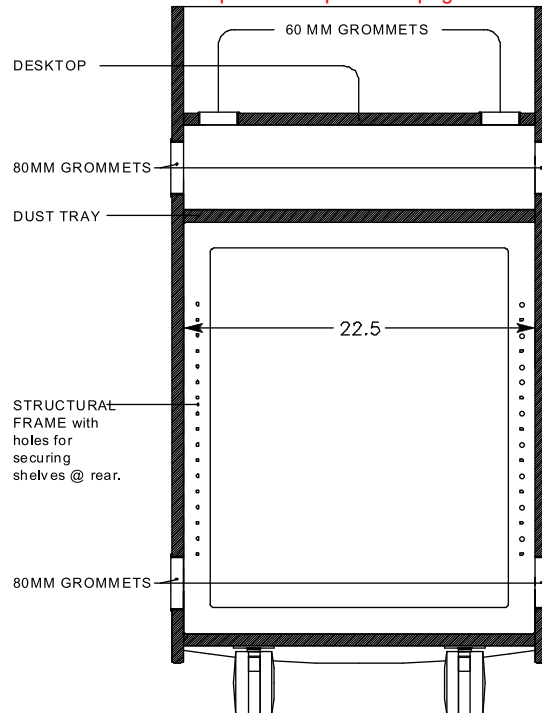


A. CLec MOB.LITE \$1095

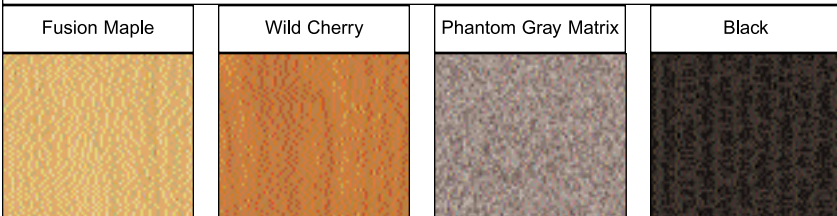
24"W x 24"D x 45"H
MobiLite Lectern pricing is for standard plastic laminate finishes and includes only the standard features noted in the description.



MHEC NET / delivered & installed \$657
 MHEC NET / tailgate delivery \$569
 See prices for options on page 2.



B. MOBILITE LECTERN / STANDARD FINISHES:				FINISH	\$LIST
---	--	--	--	---------------	---------------



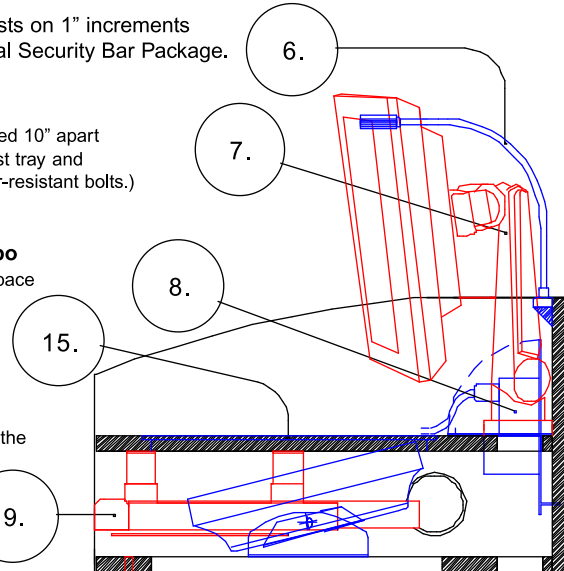
FUSION MAPLE	+ \$00
WILD CHERRY	+ \$00
PHANTOM GRAY	+ \$00
BLACK	+ \$00

<p>E O N D E S I G N S</p> <p>M O B I L I T E</p> <p>L E C T E R N S</p> <p>PRICE LIST / SPECIFIER F.O.B. Norwich, CT effective 2009</p>	<p><< MOBILITE >></p> <p>MobiLite is a de-featured version of the Mobilis Lectern. This format allows you to add as many or as few features as you require and control the cost. In addition, certain features can be added after the initial purchase in order to upgrade the product.</p>	<p>GENERAL SPECIFICATIONS</p> <ol style="list-style-type: none"> MobiLite Lecterns have integrated wiremanagement, venting and casters and a "passthru" capability. MobiLite Lecterns are standard in plastic laminate in the following finishes: Fusion Maple, Wild Cherry Phantom Gray Matrix, and Black. Alternate finishes will be considered only for volume purchases. All trim (including edges) is Black. All panel core material is MDF (medium density fiberboard). 		
<p>C. MOBILITE LECTERN / OPTIONS</p>	<p>Note: All options except 8,13, 14, and 15 can be field installed.</p>	<p>Option / Model No.</p>	<p>\$LIST</p>	<p>MHEC NET</p>

- 6. LittleLite Fixture (12" Halogen Gooseneck fixture as used on the Intellect Lectern) mounted @ TOP of LEFT rear corner.
- 7. Hopper Monitor Arm (15.5" long arm with 360 degree swivel and tilt-pivot movement) grommet-mounted @ RIGHT rear corner.
- 8. Power-Data Grommet (with 2 AC outlets & 2 RJ45's) mounts @ center rear of desktop.
- 9. Keyboard Drawer (with mousetray as used on Mobilis Lectern) mounts to underside of desktop.

6. CLec.TL.HGN Tasklight / 12" Halogen Gooseneck	\$131	D&I_\$79 TG_\$68
7. CLec.MA.HOP Monitor Arm / Idea @	\$329	D&I_\$197 TG_\$171
8. CLec.GT.PWD Grommet / Power-Data	\$219	D&I_\$131 TG_\$114
9. CLec.KD.SMT Keyboard Dwr. / mousetray	\$219	D&I_\$131 TG_\$114
10. CLec.AS.2218 Adjustable Shelf / 22"W x 18"D / Cost per Shelf >>>	\$69	D&I_\$131 TG_\$114
11. CLec.SP.AL5 Security Bar Package / All Shelves	\$79	D&I_\$47 TG_\$41

- 10. Adjustable Shelf (22"W x 18"D) adjusts on 1" increments and can be secured at front by optional Security Bar Package.
- 11. *Security Bar Package / All Shelves. (Includes two 3/8" diameter steel bars spaced 10" apart running from the bottom panel up to the dust tray and capped by security plate secured by tamper-resistant bolts.)



- 12. *Security Package / Shelf-CPU Combo (Adjustable shelf is positioned with 17" of space below for CPU. Package includes two 3/8" diameter steel bars spaced 10" apart running from the adjustable shelf up to the dust tray and capped by security plate secured by tamper-resistant bolts. Also included is a steel tray with removable security bracket. CPU slides into tray from the front and is secured by the bracket. The tray is designed for a 8" - 9" wide tower-type computer and security is based upon a dimensional fit.)

12. CLec.SP.SCC Security Bar Package / Shelf-CPU Combo	\$159	D&I_\$95 TG_\$83
--	-------	---------------------

- 13. Plinth Base (as used on the Mobilis Lectern) is a stationary base with recessed toe-kick on all sides. This is in place of the standard 4" casters.

13. CLec.PB.TOKK Plinth Base	\$89	D&I_\$53 TG_\$46
------------------------------	------	---------------------

- 14. WingTop 2424 (as used on the Mobilis Lectern) is a dropleaf shelf with a large radius on the user's side creating a 'light-duty' worksurface at 33"H. Shelf is 'light duty' / 30 lbs. max. load. Factory mounted: Left, Right or Both sides.

14. CLec 2424.WTE 24"W x 24"D x 33"H WingTop Extension	\$399	D&I_\$239 TG_\$207
--	-------	-----------------------

- 15. Viewport / LCD Package:
 - A. 15" x 15" Glass Viewing Panel mounted flush into Fixed Desktop. Tempered Glass / Color: Dark Grey.
 - B. Keyboard Drawer with mousetray.
 - C. Adjustable LCD Display Bracket (fits 15" - 17" display).

15. CLec LCD.VPRT Viewport / LCD Package	\$639	D&I_\$383 TG_\$332
--	-------	-----------------------

*Please Note: The 10" spacing of bars and positioning of adjustable shelves create a reasonably secure condition for most AV equipment. Ultimately, this system is a deterrent only. The manufacturer makes no claims that this is a 'fail-safe' security system.

MobiLite LIST SUBTOTAL	
-------------------------------	--

E O N D E S I G N S
F L A S H
P O D I U M S
PRICE LIST / SPECIFIER F.O.B. Norwich, CT
effective 2009

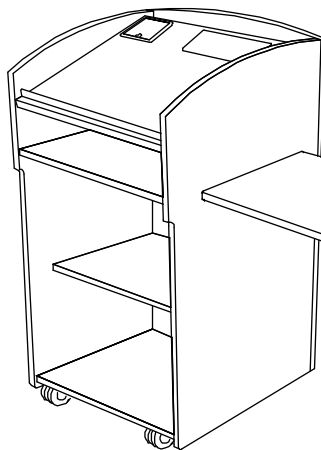
<< FLASH >>
Flash is a well-priced podium that handles everything from a Laptop / LCD projector presentations to fully integrated multimedia requirements. Flash is available in a ONE WEEK Quick Ship program in (4) Finish Options.

GENERAL SPECIFICATIONS

- Flash Podiums are sold in (3) functional versions. See Level 1 - 3 as described below.
- Flash Podiums are available in (4) standard finishes:
 - Phantom Gray Matrix with Black Edge Trim.
 - Fusion Maple with Charcoal Edge Trim.
 - Wild Cherry with Black Edge Trim.
 - Black with Cherry Edge Trim.
- Desktop, shelves and cabinetry are always Black.

A. FLASH / LEVEL 1

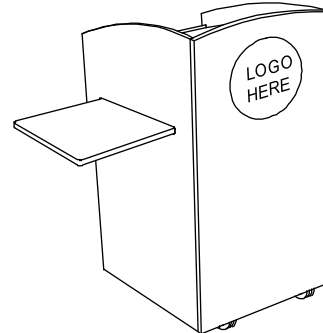
- Angled Desktop:**
 - Wire-drop @ rear of desktop.
 - Power-Data Grommet @ Left includes:
 - Duplex Outlet
 - RJ45 Cat 5E
 - Extron 5-gang cutout @ Right
 - Pencil Stop
- Fixed Reference Shelf**
- Projector Pullout Shelf**
(pulls out Right or Left).
- Intermediate Storage Shelf**
- 7-Outlet Surge Strip**
- 3" Diameter Casters w/ brake**
- Circular Logo Field** for customers printed logo.



PODIUM / Size	\$LIST
---------------	--------

A. FPod 2424.LVL1 \$1865
24"W x 24"D x 45"H

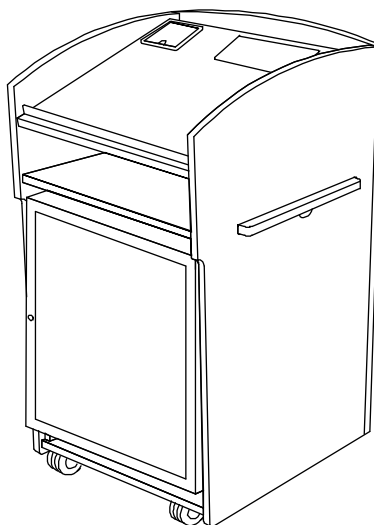
MHEC NET / delivered & installed ___\$1119
MHEC NET / tailgate delivery ___\$970



B. FLASH / LEVEL 2

Includes Features 1 - 7 as described above PLUS:

- Powder-coated Steel Rack Cabinet with:**
 - Smoked Plexi Door (lockable).
 - Front Rack Rails (12RU spaces).
 - Passive Air Intake, Venting & Cableway.
 - Rack Cabinet slides out for servicing.



PODIUM / Size	\$LIST
---------------	--------

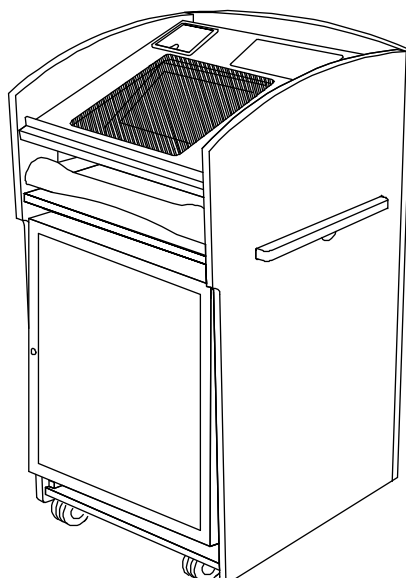
B. FPod 2424.LVL2 \$2635
24"W x 24"D x 45"H

MHEC NET / delivered & installed ___\$1581
MHEC NET / tailgate delivery ___\$1370

C. FLASH / LEVEL 3

Includes Features 1 - 8 as described above PLUS:

- Viewport / LCD Package:**
 - 15" x 15" Tempered Glass Panel mounted flush into Fixed Desktop. Tempered Glass Color: Dark Grey.
 - Keyboard Drawer with Sliding Mousetray.
 - Adjustable LCD Display Mounting Bracket (fits 15" - 17" display size).



PODIUM / Size	\$LIST
---------------	--------

C. FPod 2424.LVL3 \$3295
24"W x 24"D x 45"H

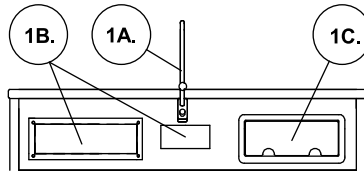
MHEC NET / delivered & installed ___\$1977
MHEC NET / tailgate delivery ___\$1713

D. FLASH / STANDARD FINISHES
Note: Finish on interior cabinetry is always BLACK.

	FM/CH Fusion Maple Black Edges	WC/BK Wild Cherry Black Edges	PG/BK Phantom Gray Black Edges	BK/BK Black Black Edges
E X T E R I O R				

<p>E O N D E S I G N S</p> <h1 style="margin: 0;">INTELLECT</h1> <p>L E C T E R N S</p> <p>PRICE LIST / SPECIFIER F.O.B. Norwich, CT effective 2009</p>	<p><< INTELLECT >></p> <p><i>Intellect is a compact, yet expandable, presentation lectern designed around a document camera drawer with space for 'on-board' electronics.</i></p> <p><i>Similar to Mobilis, Intellect expands in a modular format allowing for growth and change to your lectern configuration as your technology needs become more sophisticated.</i></p>	<p>GENERAL SPECIFICATIONS</p> <p>1. Intellect Lecterns have integrated wiremanagement, venting and casters and a "passthru" capability when specified with accessory cabinets.</p> <p>2. Intellect Lecterns are standard in plastic laminate:</p> <p>A. Vertical panels are Nevamar #MR-6-7T "Phantom Grey Matrix". All trim is Black.</p> <p>B. Horizontal panels are available in (6) Standard (and 3 Optional) Laminates .</p> <p>C. See Intellect Finishes Page for Standard Laminates and alternatives.</p>	
A. INTELLECT 3030 LECTERN / STANDARD FEATURES:		Lectern / Size	\$LIST

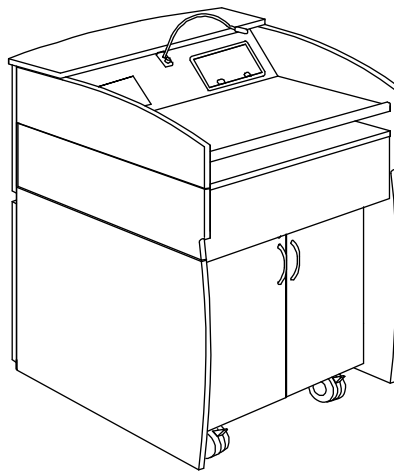
1. **Angled Control Panel (removable):**
 - A. LittleLite Fixture (12" Halogen Gooseneck) mounted @center on control panel.
 - B. Extron / Crestron, Symposium X-Port 30 Cutout (please specify).
 - C. Cable Reservoir with hinged door includes:
 - (1) Duplex Outlet
 - (2) Pull-thru Grommets
 - (2) RJ45 Cat 5E for VGA or other.



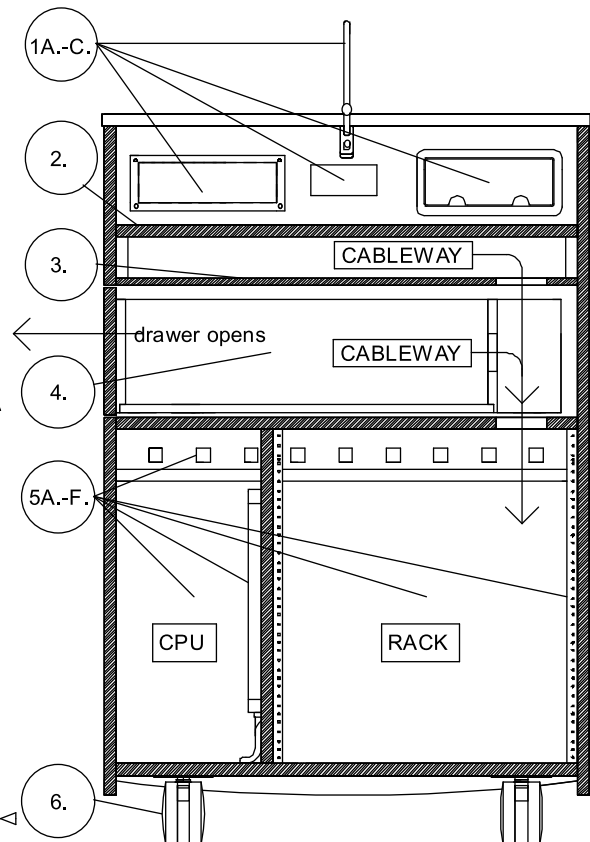
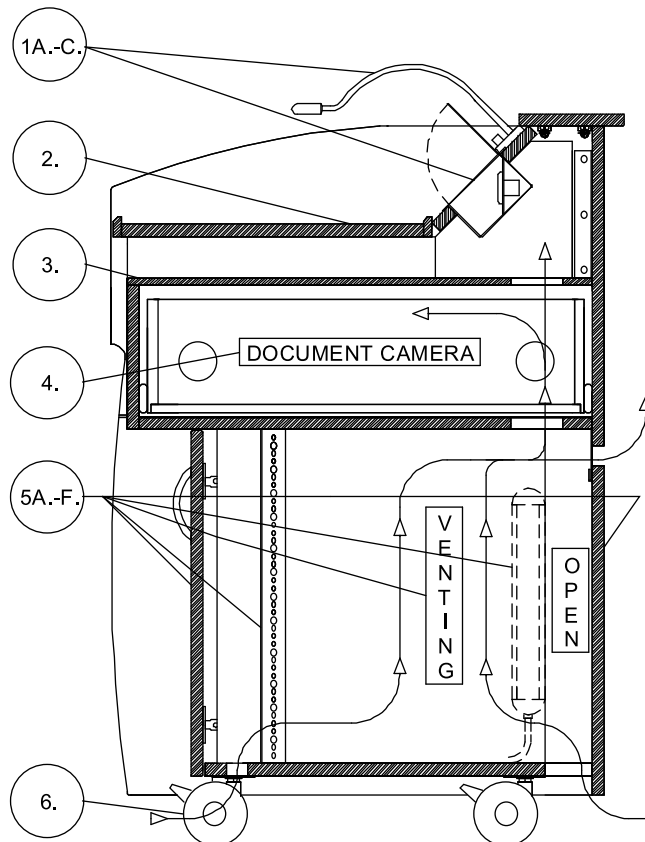
A. CLec 3030.INT **\$4869**

30"W x 30"D x 46"H
Intellect 3030 Lectern
 Pricing is for standard plastic laminate finish and includes all the standard features noted in the description at left.

2. **Fixed Desktop** with pencil stop.
3. **Reference Shelf** storage below desktop.
4. **Document Camera Drawer (locked)**
 (Specify Opening Left or Right side - as standing at the lectern). This drawer accommodates the largest document camera.
5. **Integrated Rack Cabinet:**
 - A. Hinged Front Doors (lockable).
 - B. Front Rack Rails (12 RU spaces).
 - C. Removable Back Panel.
 - D. Passive Air Intake, Venting & Cableway.
 - E. 7-Outlet Surge Strip (with circuit breaker).
 - F. CPU Storage (separate from rack).
6. **4" Diameter Soft Casters w / Brake.**
7. **(6) Standard Laminate Finishes:**
 See Specs and Intellect Finishes Page.



MHEC NET / delivered & installed ___\$2921
 MHEC NET / tailgate delivery ___\$2532
 See prices for options on the following pages.



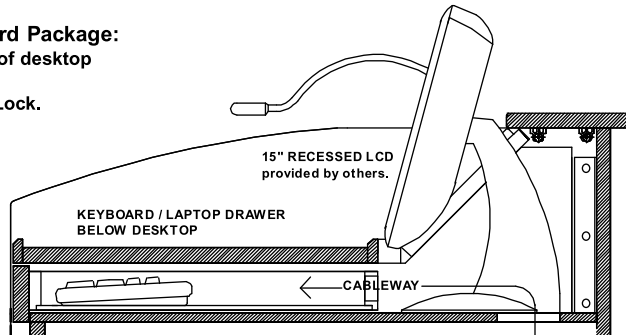
<p>E O N D E S I G N S</p> <h1 style="margin: 0;">INTELLECT</h1> <p>L E C T E R N S</p> <p>PRICE LIST / SPECIFIER F.O.B. Norwich, CT effective 2009</p>	<p><< INTELLECT >></p> <p><i>Intellect is a compact, yet expandable, presentation lectern designed around a document camera drawer with space for 'on-board' electronics.</i></p> <p><i>Similar to Mobilis, Intellect expands in a modular format allowing for growth and change to your lectern configuration as your technology needs become more sophisticated.</i></p>	<p>GENERAL SPECIFICATIONS</p> <ol style="list-style-type: none"> Intellect Lecterns have integrated wiremanagement, venting and casters and a "passthru" capability when specified with accessory cabinets. Intellect Lecterns are standard in plastic laminate: <ol style="list-style-type: none"> Vertical panels are Nevamar #MR-6-7T "Phantom Grey Matrix". All trim is Black. Horizontal panels are available in (6) Standard (and 3 Optional) Laminates . See Intellect Finishes Page for Standard Laminates and alternatives. 	
INTELLECT 3030 LECTERN / OPTIONS		Option / Model No.	\$LIST

MHEC NET

8. Integrated LCD / Keyboard Package:

- A. *Recessed Well @ rear of desktop for 15" Flat Panel monitor.
 - B. Keyboard Drawer with Lock.
- *Specify monitor position Left or Right as standing at the lectern.

Note: Price does not include any electronics.



8. CLec LCD.KYBD
Integrated LCD / Keyboard Drawer Package.

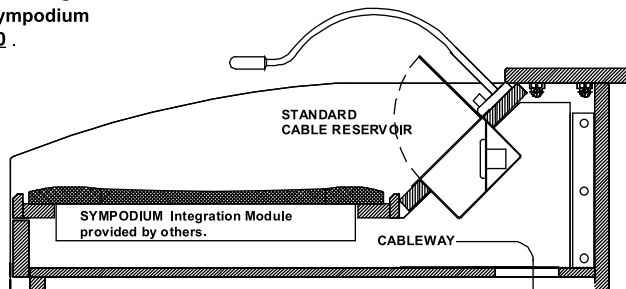
\$699 D&I_\$419 TG__\$363

9. Integrated *Symposium Package:

*Desktop Cutout fits both Symposium Model # **IC 150** and # **IM 150** .

Includes a fascia strip below desktop and optional cutout for **X-Port 30** in Angled Control Panel.

Note: Price does not include any electronics.



9. CLec INT.SYMP
Desktop Cutout for Symposium Integration Module.

\$249 D&I_\$149 TG__\$129

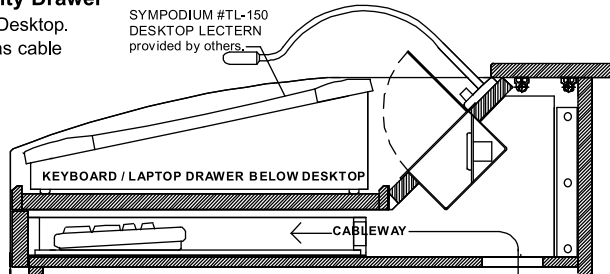
10. Keyboard / Laptop Security Drawer

mounts to underside of Fixed Desktop. This drawer is lockable and has cable egress @ the rear.

The drawing @ right shows how a Symposium Desktop Lectern can be positioned on the desktop, powered by cable reservoir and controlled by keyboard in drawer below.

Note: Price does not include any electronics.

SYMPodium #TL-150 DESKTOP LECTERN provided by others.



10. CLec.SD.KBLT
Keyboard / Laptop Security Drawer

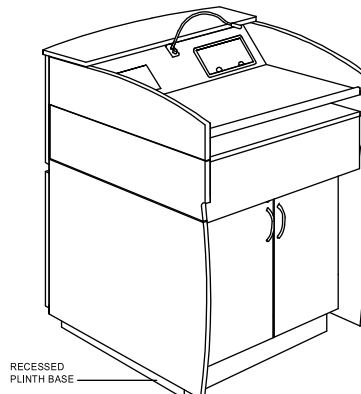
\$472 D&I_\$283 TG__\$245

11. Utility Rack Shelf mounts to front rack rails and is height adjustable.

12. Rear Rack Rails adjust in depth to provide rear support for larger electronic components.

13. Retractable Power Cord Reel
Note: Specify cord exit Left or Right!

14. Plinth Base is a non-mobile (stationary) base with recessed toe-kick on all sides. This is an alternative to the standard 4" casters.



11. CLec.RS.HTA
Single Rack Shelf / Height adjustable

\$89 D&I_\$53 TG__\$46

12. CLec.RR.REAR
Rack Rails / Rear

\$149 D&I_\$89 TG__\$77

13. CLec.CR.RTB
Power Cord Reel

\$119.00 D&I_\$71 TG__\$62

14. CLec.PB.TOKK
Plinth Base

\$89.00 D&I_\$53 TG__\$46

Note: OPTIONS # 11 - 14 (above) can be used on the Intellect 3030 Lectern as well as on the Rack SideCar Cabinet accessory on the following page.

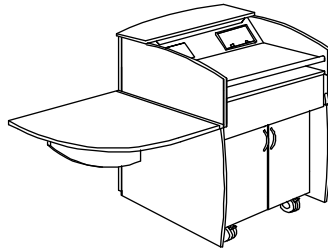
Intellect 3030 LIST SUBTOTAL



<p>E O N D E S I G N S</p> <p>I N T E L L E C T</p> <p>L E C T E R N S</p> <p>PRICE LIST / SPECIFIER F.O.B. Norwich, CT effective 2009</p>	<p><< INTELLECT >></p> <p><i>Intellect is a compact, yet expandable, presentation lectern designed around a document camera drawer with space for 'on-board' electronics.</i></p> <p><i>Similar to Mobilis, Intellect expands in a modular format allowing for growth and change to your lectern configuration as your technology needs become more sophisticated.</i></p>	<p>GENERAL SPECIFICATIONS</p> <p>1. Intellect Lecterns have integrated wiremanagement, venting and casters and a "passthru" capability when specified with accessory cabinets.</p> <p>2. Intellect Lecterns are standard in plastic laminate:</p> <p>A. Vertical panels are Nevamar #MR-6-7T "Phantom Grey Matrix". All trim is Black.</p> <p>B. Horizontal panels are available in (6) Standard (and 3 Optional) Laminates .</p> <p>C. See Intellect Finishes Page for Standard Laminates and alternatives.</p>
INTELLECT 3030 LECTERN / ACCESSORIES	Accessory / Model No.	\$LIST

MHEC NET

B. WingTop 3030 is a drop leaf (with swing-out support) that creates an auxiliary work surface @ 33"H. WingTop has a large radius @ user's side and best use is for temporary seating or light equipment placement.

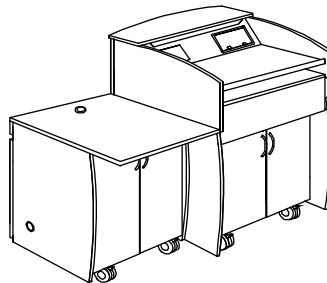


This accessory is a handed part. Left Hand part is illustrated.

B. CLec 3030.WTE \$499 D&I_\$299 TG__\$259
 30"W x 27"D x 33"H
 WingTop Extension

C. Rack Sidecar 2430 / Rectangular Top with Overhang doubles the rack space of the Intellect 3030 and provides an ADA height worksurface:

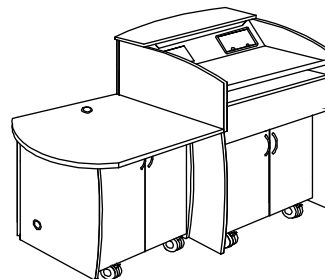
- Hinged Front Doors (lockable)
- Front Rack Rails (12 RU spaces)
- Removable Back Panel
- Passive Air Intake, Venting and Cableway.
- 7-Outlet Surge Strip (w/breaker)



C. CLec 2430.RSC.RT \$2175 D&I_\$1305 TG__\$1131
 24"W x 30"D x 33"H
 Rack SideCar / Rectangular Top with Overhang

D. Rack Sidecar 3030 / Peninsula Top with Overhang doubles the rack space of the Intellect 3030 and provides an ADA height worksurface:

- Hinged Front Doors (lockable)
- Front Rack Rails (12 RU spaces)
- Removable Back Panel
- Passive Air Intake, Venting and Cableway.
- 7-Outlet Surge Strip (w/breaker)



D. CLec 3030.RSC.PT \$2275 D&I_\$1365 TG__\$1183
 30"W x 30"D x 33"H
 Rack SideCar / Peninsula Top with Overhang

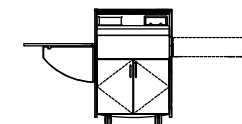
Note: OPTIONS # 11 - 14 from the previous page can be used on the Rack SideCar Cabinet accessories (above) as well as on the Intellect 3030 Lectern.

Accessories Subtotal

Intellect 3030 / LIST GRANDTOTAL

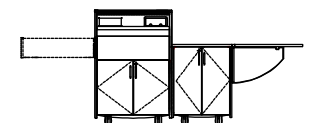
CONFIGURATION KEY / EXAMPLES

Configuration #1. "B-A"
 B = Wingtop Extension
 A = Intellect 3030 / Document Camera Drawer RIGHT



"B-A"

Configuration #2. "A-C-B"
 A = Intellect 3030 / Document Camera Drawer LEFT
 C = Rack SideCar 2430 / Rectangular Top
 B = Wingtop



"A-C-B"

Your Configuration: "_ _ _ _ _"
 A = Intellect 3030 B = Wingtop
 C = Rack SideCar 2430 / Rectangular Top
 D = Rack SideCar 3030 / Peninsula Top

CONFIGURATION

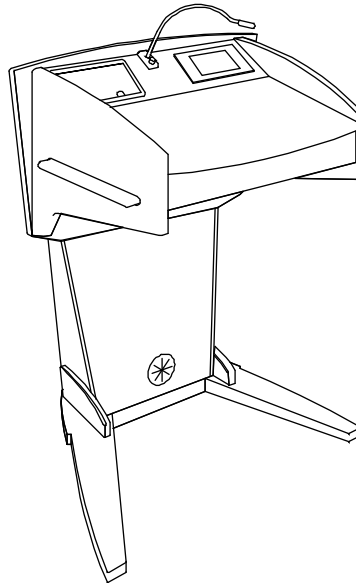
Your Configuration

"_ _ _ _ _"

<p>E O N D E S I G N S</p> <p>A E G I S</p> <p>P O D I U M S</p> <p>PRICE LIST / SPECIFIER F.O.B. Norwich, CT effective 2009</p>	<p><< AEGIS >></p> <p><i>Aegis is a dynamic solid wood podium with a graceful form and a 'fine furniture' appearance. The addition of an optional (4) RU rack cabinet makes Aegis a more than adequate multi-media podium for laptop presentations. An electrically-assisted version of the Aegis Podium is available at an additional charge.</i></p>	<p>GENERAL SPECIFICATIONS</p> <ol style="list-style-type: none"> Aegis Podiums have integrated wiremanagement, venting and options for portability and storage . Aegis Podiums are standard in (5) solid woods: <ol style="list-style-type: none"> Quarter-sawn Maple with Black Trim. Quarter-sawn Oak with Black Trim. Plain-sawn Cherry with Black Trim. Plain-sawn Walnut with Black Trim. Ribbon-Striped Mahogany with Black Trim. See the Aegis Finishes Page for Std. Finish Colors. Custom woods and finishes are available.
---	---	---

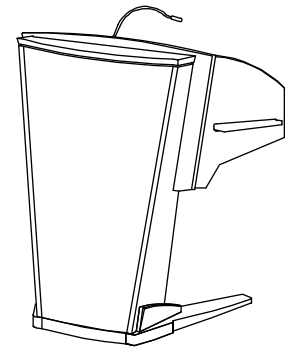
A. AEGIS PODIUM / STANDARD UNIT FEATURES:	PODIUM / Size	\$LIST
---	---------------	--------

- Angled Control Panel** (removable):
 - Cable Reservoir** with hinged door includes:
 - Duplex Outlet
 - Pull-thru Grommets for VGA or other.
 - LittleLite Fixture** (12" Halogen Gooseneck) mounted @center on control panel.
 - Optional Cutout for Crestron or other:** (please specify).
- Desktop.**
- Keyboard / Laptop Drawer** (lockable).
- Slide-Out Accessory Shelf**
(Specify Opening Left or Right side).
- Accessible Wire Management:**
Access panels allow you to rout cables from control panel to floorbox. Includes a 7-outlet surge strip w/ circuit breaker.
- (5) Standard Solid Wood Options:**
See Specs and Aegis Finishes Page.



A. APod 2830.STD \$6,489
 28"W x 30"D x 44"-54"H
Aegis Podium 2830.STD
 includes all the standard features noted in the description at << LEFT.

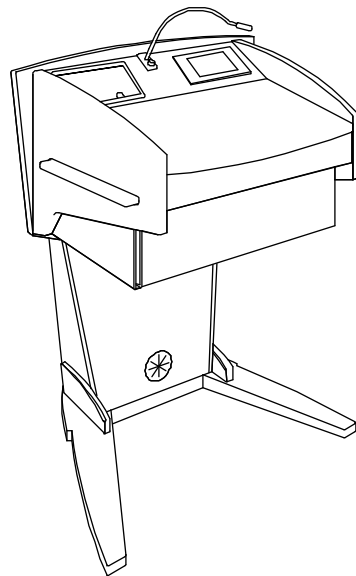
MHEC NET / delivered & installed ___\$3893
 MHEC NET / tailgate delivery ___\$3374
 See prices for options on page 2.



B. AEGIS PODIUM / MINI RACK CABINET	PODIUM / Size	\$LIST
-------------------------------------	---------------	--------

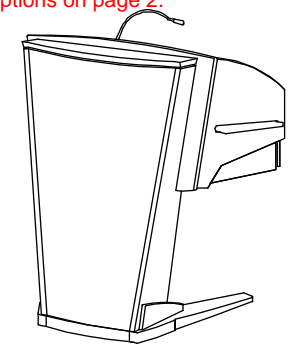
This version includes Features 1 - 7 as described above PLUS:

- Mini Rack Cabinet:**
 - Hinged Front Panel** (lockable).
 - Front Rack Rails** (4 RU spaces).
 - Rack Cabinet slides out for servicing.**
 - Passive Air Intake, Venting & Cableway.**



B. APod 2830.MRC \$6962
 28"W x 30"D x 44"-54"H
Aegis Podium 2830.MRC
 includes all the standard features above PLUS the **Mini-Rack Cabinet.**

MHEC NET / delivered & installed ___\$4177
 MHEC NET / tailgate delivery ___\$3620
 See prices for options on page 2.



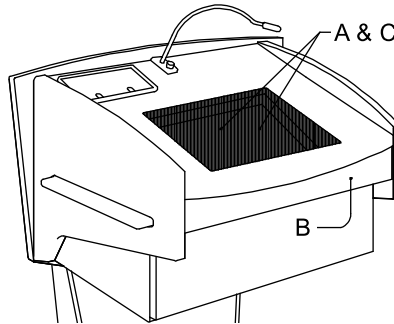
C. OPTIONS:	Description / See the <u>OPTIONS PAGE</u> for more information!	Product Number	\$LIST
9. Viewport LCD Package	No Charge Option / Angled Desktop with Viewport for on-board computer.	APod LCD.VPRT	\$000
10. Aegis Podium Trolley	Custom furniture dolly designed to move this podium with style & grace!	APod TPZ.CMDY	\$350
11A. Logo Marquee / Plexi	Wood-framed shadowbox with clear plexiglas insert panel	APod SBX.PLOGO	\$275
11B. Logo Marquee / Wood	Wood-framed shadowbox with finished wood panel insert	APod SBX.WLOGO	\$375
12. External Wiremanager	External wiremanager mounted to access panel for easier external access.	APod EXT.WMGR	\$100
13. Lift Mechanism - Electric	Electrically-assisted lift mechanism.	APod ELA.LMCH	\$995

MHEC NET
 See pg.2
 for MHEC Net prices.

<p>E O N D E S I G N S</p> <p>A E G I S</p> <p>P O D I U M S</p> <p>PRICE LIST / SPECIFIER F.O.B. Norwich, CT effective 2009</p>	<p><< AEGIS >></p> <p><i>Aegis is a dynamic solid wood podium with a graceful form and a 'fine furniture' appearance. The addition of an optional (4) RU rack cabinet makes Aegis a more than adequate multi-media podium for laptop presentations. An electrically-assisted version of the Aegis Podium is available at an additional charge.</i></p>	<p>GENERAL SPECIFICATIONS</p> <ol style="list-style-type: none"> Aegis Podiums have integrated wiremanagement, venting and options for portability and storage . Aegis Podiums are standard in (5) solid woods: <ol style="list-style-type: none"> Quarter-sawn Maple with Black Trim. Quarter-sawn Oak with Black Trim. Plain-sawn Cherry with Black Trim. Plain-sawn Walnut with Black Trim. Ribbon-Striped Mahogany with Black Trim. See the Aegis Finishes Page for Std. Finish Colors. Custom woods and finishes are available. 	
AEGIS PODIUM / OPTIONS		Option / Model No.	\$LIST

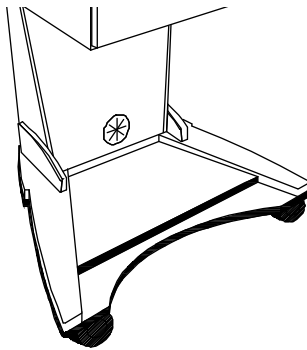
MHEC
NET

- 9. Viewport / LCD Package** is a no-charge option to allow for an on-board computer. This option maintains the Cable Reservoir and Little-Lite from the standard product, however, the keyboard drawer becomes an access panel (only).
- A. 15" x 15" Glass Viewing Panel** mounted flush in Fixed Desktop. Tempered Glass / Color: Dark Grey
 - B. Keyboard Drawer** becomes an access panel.
 - C. LCD Display (15" - 17") Bracket** mounted below glass.



9. APod LCD.VPRT Viewport / LCD Package \$00.00

D&I_\$0
TG_\$0



Logo Marquee includes an integrated wood shadowbox designed for a 14"W x 11"H logo insert panel. The options include:

- 11A. Clear Plexiglas Insert Panel** takes (user's) printed logo.
- 11B. Finished Wood Insert Panel** can be laser-engraved or take (user's) printed logo.

- 10. Aegis Trolley** is a dedicated furniture dolly with a trapezoidal shape that locks into the base configuration for safe transport. The trolley has a finished appearance allowing it to remain under the podium if desired.

10. APod TPZ.CMDY Custom Furniture Dolly \$350.00

D&I_\$210
TG_\$182

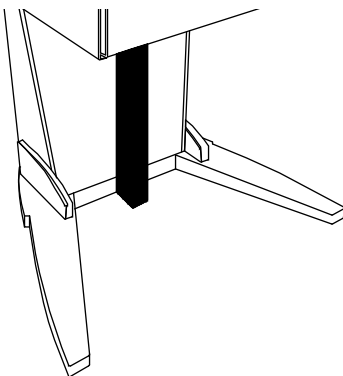


11A. APod SBX.PLOGO Plexiglas Logo Option \$275.00

D&I_\$165
TG_\$143

11B. APod WBX.WLOGO Finished Wood Logo Option \$125.00

D&I_\$75
TG_\$65



- 12. External Wiremanager** is a black plastic channel that allows cabling to be routed (and accessed) externally from the rack cabinet down to a floorbox.

12. APod EXT.WMGR External Wiremanager \$100.00









D&I_\$60
TG_\$52

- 13. Electrically-Assisted Lift Mechanism** is an upgrade to the standard manual lift that allows one-touch height control.

13. APod ELA.LMCH Electrically-Assisted Lift \$995.00

D&I_\$597
TG_\$517

<p>E O N D E S I G N S</p> <p>A E G I S</p> <p>P O D I U M S</p> <p>PRICE LIST / SPECIFIER F.O.B. Norwich, CT effective 2009</p>	<p>AEGIS PODIUM STANDARD FINISHES</p> <p><i>Aegis is a solid wood product available in (5) standard wood species and several colors as seen below.</i></p> <ol style="list-style-type: none"> 1. Accent / Trim standard finish is BLACK EBONIZED. 2. All other surfaces are available in a choice of (5) Standard Wood Species. 3. Standard wood species are available in the (17) Standard Wood Finishes shown below. 4. Custom woods and finishes are available and priced upon request. 5. Call the factory (860-892-5361) for further information.
--	---

AEGIS PODIUM / STANDARD WOOD FINISHES:				
Photo representations below are general approximations and will vary based upon viewing or printing variables. Finish samples are available from the factory when confirming the particular finish on an order.				
MAPLE Quarter-sawn	OAK Quarter-sawn	CHERRY Plain-sawn	WALNUT Plain-sawn	MAHOGANY Ribbon-striped
				
NATURAL	NATURAL	NATURAL	NATURAL	NATURAL
				
AMBER	TOFFEE	AMBER		
				
COLONY		COLONY	ROYAL	COLONY
				
BROWN	BROWN	BROWN	BROWN	BURNISHED

E O N D E S I G N S
A T H E N A
P O D I U M S

PRICE LIST / SPECIFIER F.O.B. Norwich, CT effective 2009

<< ATHENA >>

Athena is a dynamic, laptop-driven presentation podium with a large, wood-framed desktop and an inset leather panel; removable for laptop storage and plug-in. An optional Laptop Drawer expands the desktop, while other options such as an Electric Lift Mechanism and an LCD Marquee make Athena a truly unique podium.

GENERAL SPECIFICATIONS

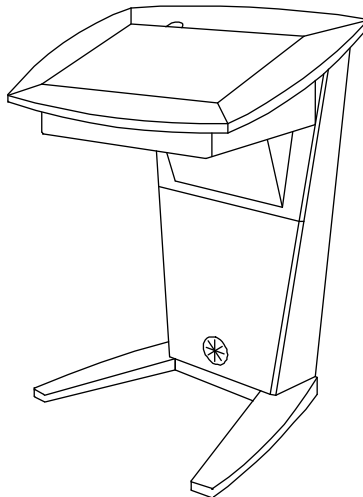
- Athena Podiums have integrated wiremanagement, venting and options for portability, storage and display.
- Athena Podiums are standard in (5) solid woods:
 - Quarter-sawn Maple.
 - Quarter-sawn Oak.
 - Plain-sawn Cherry.
 - Plain-sawn Walnut.
 - Ribbon-Striped Mahogany.
- Custom woods and finishes are available.

A. ATHENA PODIUM / STANDARD UNIT FEATURES:	PODIUM / Size	\$LIST
---	----------------------	---------------

- Angled Desktop / Mitred Hardwood Frame** with (removable) BROWN Leather Insert Panel: **Laptop Storage** under panel includes a Power Strip with:
 - (4) AC Outlets
 - (1) RJ45 Cat 5
 - (1) RJ11
 - (1) Gooseneck Halogen Light

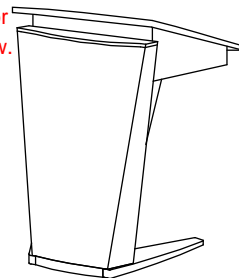
Note: Cables are routed to desktop via mouse-hole cutout@ top / left of insert panel.

- Accessible Wire Management:** Access panels allow you to rout cables from desktop storage to floorbox. Includes a 7-outlet surge strip w/ circuit breaker.
- (5) Standard Wood Species Options:** See General Specs above. Same woods and finish colors are available as on the Aegis Podium.



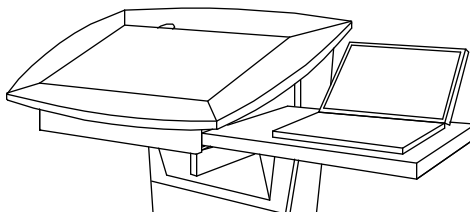
A. ATPod 2830.STD \$5,489
30"W x 27"D x 37"-47"H
Athena Podium 3027.STD
includes all the standard features noted in the description at << LEFT.

MHEC NET / delivered & installed ___\$3293
MHEC NET / tailgate delivery _____\$2854
See prices for options below.



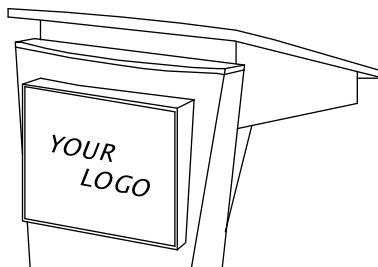
ATHENA PODIUM / OPTIONS

- The **Laptop Drawer** expands the Athena desktop while providing secure storage for a resident laptop. The drawer is built into the right side of the cabinet below the desktop. The drawer will accomodate a laptop with up to a 15.4" diagonal screen and is mounted on 100#, full extension drawer slides for minimal vibration while in use.



Option / Model No.	\$LIST	MHEC NET
5. ATPod LAP.DRW Athena Laptop Drawer	\$495.00	D&I_ \$297 TG_ \$257

- The **Logo Marquee** is a wooden shadowbox on the approach side of the podium. The box is approximately 16"W x 13"H inside. The customer may insert their own printed logo at their discretion.



6. ATPod LOG.MARQ Athena Logo Shadowbox	\$275.00	D&I_ \$165 TG_ \$143
---	----------	-------------------------

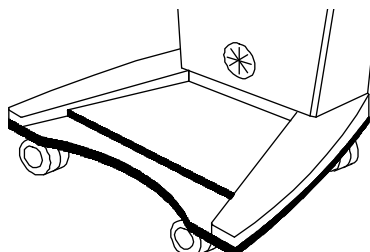
- 6A. The LCD Marquee** is the same shadowbox with a built-in 19" Flat Panel (Acer) Monitor. This monitor is wired internally and ready to connect to your laptop. Suggested uses: Display variable logos for different events, Powerpoint slide shows, etc.

6A. ATPod LCD.MARQ Athena Logo Shadowbox with built-in 17" Flat Panel Monitor	\$975.00	D&I_ \$585 TG_ \$507
---	----------	-------------------------

- The **Electrically-assisted Lift Mechanism** allows the user to raise the desktop from 37" to 47" (measured at user's side) by means of an easily accessible switch. The desktop will stop at any point in between as well.

7. ATPod ELA.LMCH Electrically-Assisted Lift	\$995.00	D&I_ \$597 TG_ \$517
--	----------	-------------------------

- The **Athena Trolley** is a dedicated furniture dolly with a trapezoidal shape that locks into the base configuration for safe transport. The trolley has a finished appearance allowing it to remain under the podium if desired.



8. ATPod TPZ.CMDY Custom Furniture Dolly	\$350.00	D&I_ \$210 TG_ \$182
--	----------	-------------------------

<p>E O N D E S I G N S</p> <h1>STEALTH</h1> <p>ADA COMPLIANT PODIUM</p> <p>PRICE LIST / SPECIFIER F.O.B. Norwich, CT effective 2014</p>	<h2>STEALTH</h2> <p>STEALTH is a simply-operated, manually-adjusted, economical ADA podium providing a generous worksurface and control panel with options for all sorts of integrated equipment.</p> <p>STEALTH is a strikingly, faceted design which transforms (from the higher standard position) into the lower ADA position; creating improved sightlines for the user while establishing the required ADA clearances.</p>	<h3>GENERAL SPECIFICATIONS</h3> <ol style="list-style-type: none"> Standard podium is available in (4) standard laminate finishes with Black edges - see below. Custom laminate finishes are available. Veneer finishes are available - call the factory. Our products are built-to-order and shipped fully assembled.
---	--	--

STANDARD POSITION

Features:

- Overall: 30"W x 26"D x 42"H
- Worksurface: 27"W x 14"D x 36"H
- Reference Shelf: 27"W x 13"D
- Angled Control Panel: 27"W x 8"H
- Standard Gooseneck Light, Timer, and Power/Data device.
- Hinged Top for easy access to equipment and cables.
- 7-Outlet Power Strip.
- 80MM Egress Grommet
- Powder-coated 1/4" thick Steel Floor Plate.
- Faceted architectural facade with black accents.



Podium / Size \$LIST

STLTH3042.ADA \$3295
30"W x 26"D x 42"H

MHEC NET / delivered & installed___\$1977
MHEC NET / tailgate delivery_____ \$1713
See prices for options below.

STANDARD FINISHES

Fusion Maple Black Edges	Wild Cherry Black Edges	Phantom Gray Black Edges	Black Black Edges

ADA POSITION

Features:

- Overall: 30"W x 31"D x 39"H
- Work Surface / Control Panel pulls forward and down reducing the podium height and establishing the ADA position:
 - 31" worksurface height
 - 29" knee - height clearance
 - 19" knee - depth clearance
 - 39" overall height (eyelevel in a wheelchair is 43" - 51").



Options	Description	Product Number	\$LIST	MHEC NET
1. Integrated PA System	MIPRO #MA101ACT - IR Remote Controlled Wireless Classroom PA System	STLTH.IPS	\$935	D&I_\$561 / TG_\$486
2. Condenser Microphone	SHURE #CVG18 Gooseneck Condenser Microphone	STLTH.CM	\$315	D&I_\$189 / TG_\$164
3. Additional Device Cutouts	Send us a link or PDF	STLTH.ADC	\$100	D&I_\$60 / TG_\$52
3. Custom Fit Dolly	Furniture Dolly shaped to base plate. Use on the dolly in non-ADA applications.	STLTH.CFD	\$350	D&I_\$210 / TG_\$182
3. Custom Laminate Finish	Upcharge for other than standard laminate.	STLTH.CLF	\$450	D&I_\$270 / TG_\$234

E O N D E S I G N S

P R E C E P T O R

S M A R T D E S K S

PRICE LIST / SPECIFIER F.O.B. Norwich, CT effective 2009

<< PRECEPTOR DESKS >>

combine a conventional 'furniture' appearance with a fully-accessible rack cabinet. Large one-piece desktop affords plenty of room for peripherals and control accessories. Cable grommets, keyboard drawer and horizontal wiremanagers are standard. Options are listed below. Desks ship 'knocked down' for assembly in the field.

GENERAL SPECIFICATIONS

1. Std. desks have (2) 60MM cable grommets, key board drawer, wiremanagement and levelers.
2. Std. desks have (1) rack cabinet (no rack rails) with front & rear lockable door and passive venting.
3. Available in WilsonArt Fusion Maple, Solar Oak and Wild Cherry woodgrain laminates.
4. Call the factory for pricing on other laminates.
5. Baserails, edgebanding and all other trim is Black.

MHEC NET

25" DEEP x 36" HIGH DESKS / STANDARD FEATURES		Desk / Size	\$LIST
---	--	-------------	--------

LARGE - RETURN DESK

Keyboard: KEYBOARD DRAWER

Monitor: RECT. GROMMET provided for LCD MONITOR ARM.

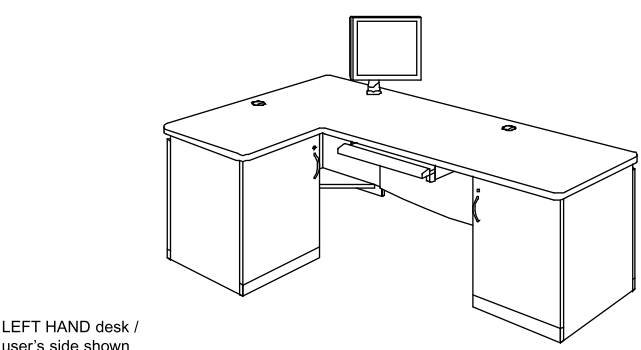
CPU: RACKMOUNT

Desk Cabinet: RACK STORAGE (21.5"W x 23.75"D x 28"H) with front & rear (lockable) door.

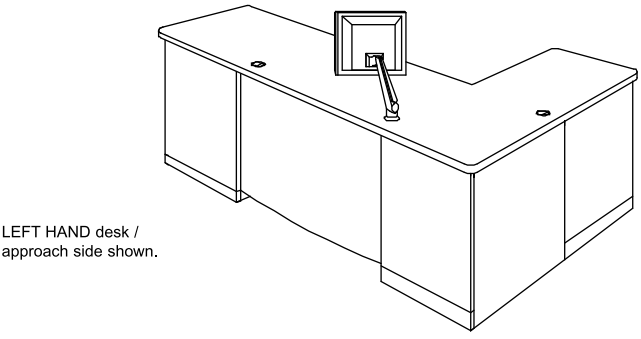
Return Cabinet: GENERAL STORAGE (21.5"W x 23.75"D x 28"H) with front (lockable) door and (2) adjustable shelves.

Additional Desktop Cutouts: SPECIFY and LOCATE (no additional charges)

Specify: LEFT or RIGHT HAND



LEFT HAND desk / user's side shown.



LEFT HAND desk / approach side shown.

PRdk9050.36.LEFT 90"W x 50"D x 36"H	\$5,795	D&I_\$3477 TG__\$3013
PRdk9050.36.RIGHT 90"W x 50"D x 36"H	\$5,795	D&I_\$3477 TG__\$3013

D&I = delivered & installed
TG = tailgate delivery

SMALL - RETURN DESK

Keyboard: KEYBOARD DRAWER

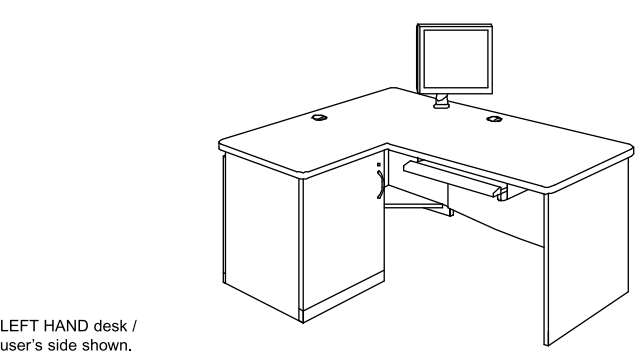
Monitor: RECT. GROMMET provided for LCD MONITOR ARM.

CPU: RACKMOUNT

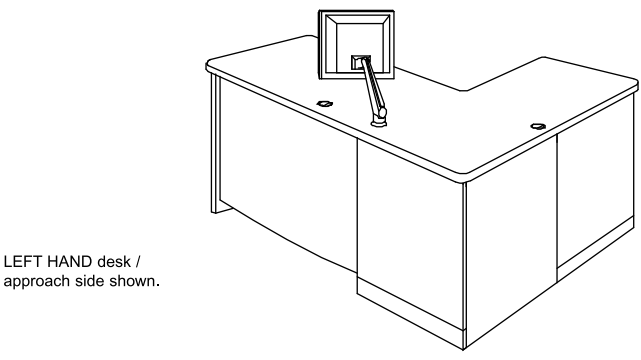
Return Cabinet: RACK STORAGE (21.5"W x 23.75"D x 28"H) with front & rear (lockable) door.

Additional Desktop Cutouts: SPECIFY and LOCATE (no additional charges)

Specify: LEFT or RIGHT HAND



LEFT HAND desk / user's side shown.



LEFT HAND desk / approach side shown.

PRdk6650.36.LEFT 66"W x 50"D x 36"H	\$5,195	D&I_\$3117 TG__\$2701
PRdk6650.36.RIGHT 66"W x 50"D x 36"H	\$5,195	D&I_\$3117 TG__\$2701

<p>E O N D E S I G N S</p> <p>P R E C E P T O R</p> <p>S M A R T D E S K S</p> <p>PRICE LIST / SPECIFIER F.O.B. Norwich, CT effective 2009</p>	<p><< PRECEPTOR DESKS >></p> <p>combine a conventional 'furniture' appearance with a fully-accessible rack cabinet. Large one-piece desktop affords plenty of room for peripherals and control accessories. Cable grommets, keyboard drawer and horizontal wiremanagers are standard. Options are listed below. Desks ship 'knocked down' for assembly in the field.</p>	<p>GENERAL SPECIFICATIONS</p> <ol style="list-style-type: none"> 1. Std. desks have (2) 60MM cable grommets, key board drawer, wiremanagement and levelers. 2. Std. desks have (1) rack cabinet (no rack rails) with front & rear lockable door and passive venting. 3. Available in WilsonArt <u>Fusion Maple</u>, <u>Solar Oak</u> and <u>Wild Cherry</u> woodgrain laminates. 4. Call the factory for pricing on other laminates. 5. Baserails, edgebanding and all other trim is <u>Black</u>.
---	--	---

30" DEEP x 36" HIGH DESKS / STANDARD FEATURES	Desk / Size	\$LIST
---	-------------	--------

MHEC NET

LARGE - RETURN DESK

Keyboard: KEYBOARD DRAWER

Monitor: RECT. GROMMET provided for LCD MONITOR ARM.

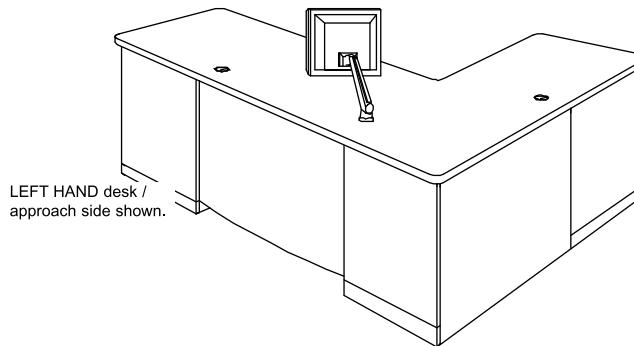
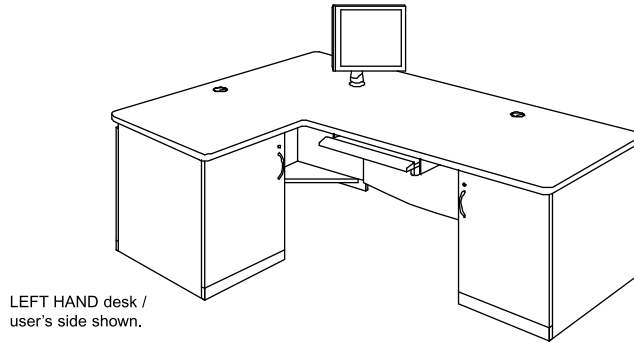
CPU: RACKMOUNT

Desk Cabinet: RACK STORAGE (21.5"W x 23.75"D x 28"H) with front & rear (lockable) door.

Return Cabinet: GENERAL STORAGE (21.5"W x 23.75"D x 28"H) with front (lockable) door and (2) adjustable shelves.

Additional Desktop Cutouts: SPECIFY and LOCATE (no additional charges)

Specify: LEFT or RIGHT HAND



PRdk9060.36.LEFT \$5,995 D&I_\$3597 TG__\$3117
90"W x 60"D x 36"H

PRdk9060.36.RIGHT \$5,995 D&I_\$3597 TG__\$3117
90"W x 60"D x 36"H

D&I = delivered & installed
TG = tailgate delivery

STRAIGHT DESK

Keyboard: KEYBOARD DRAWER

Monitor: RECT. GROMMET provided for LCD MONITOR ARM.

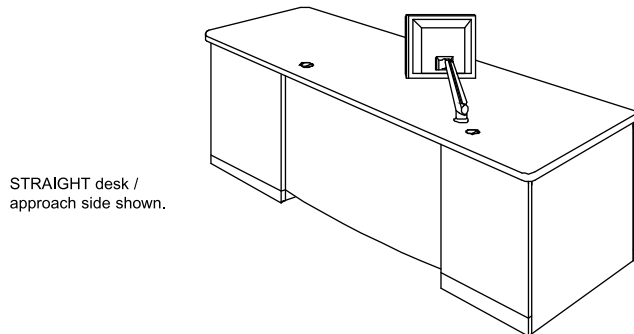
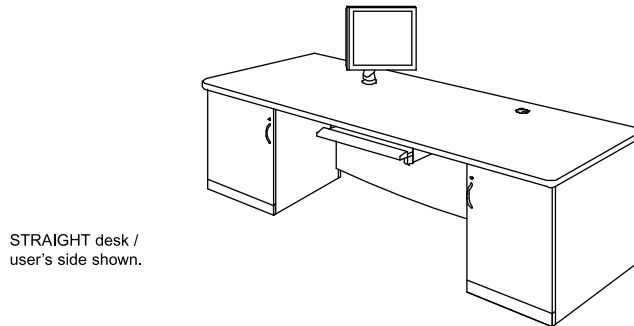
CPU: RACKMOUNT

R.H. Cabinet: RACK STORAGE (21.5"W x 23.75"D x 28"H) with front & rear (lockable) door.

L.H. Cabinet: GENERAL STORAGE (21.5"W x 23.75"D x 28"H) with front (lockable) door and (2) adjustable shelves.

Additional Desktop Cutouts: SPECIFY and LOCATE (no additional charges)

Specify: RACK STORAGE on RIGHT(as described) or LEFT (opposite).



PSdk9630.36.LEFT \$5,595 D&I_\$3357 TG__\$2909
96"W x 30"D x 36"H

PSdk9630.36.RIGHT \$5,595 D&I_\$3357 TG__\$2909
96"W x 30"D x 36"H

PSdk9030.36.LEFT \$5,495 D&I_\$3297 TG__\$2857
90"W x 30"D x 36"H

PSdk9030.36.RIGHT \$5,495 D&I_\$3297 TG__\$2857
90"W x 30"D x 36"H

E O N D E S I G N S

ADAMENTOR

A D A C O N S O L E S

PRICE LIST / SPECIFIER F.O.B. Norwich, CT effective 2010

<< ADAMENTOR >>

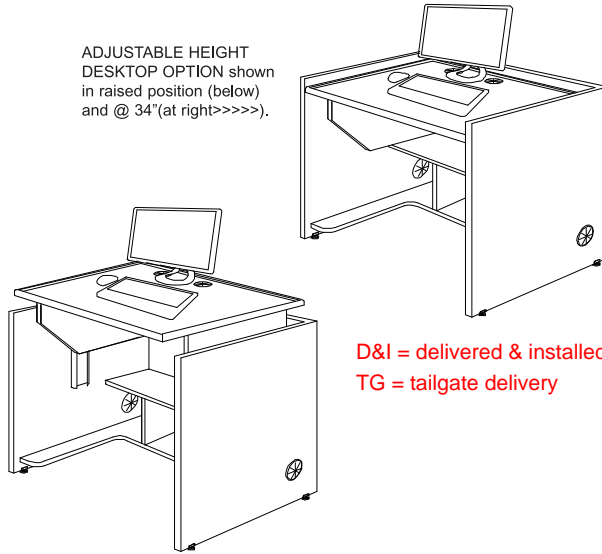
is an instructional console featuring an ADA-compliant desk and various modular cabinet add-ons. ADAMENTOR has adjustable height desktop, rack & document camera storage, and casters options. Cutouts for Extron, Crestron, and other devices offered at no charge.

GENERAL SPECIFICATIONS

1. Components have 60MM & 80MM cable grommets, integrated wiremanagement and levelers.
2. Rack Cabinets have front rack rails, front & rear lockable door and passive venting.
3. Standard Laminate Finishes: Fusion Maple, Wild Cherry, Phantom Gray, and Black. See Flash Podium.
4. On laminate finishes edgebanding and trim is Black.
5. Call the factory for custom laminate and wood finishes.

ADA DESKS

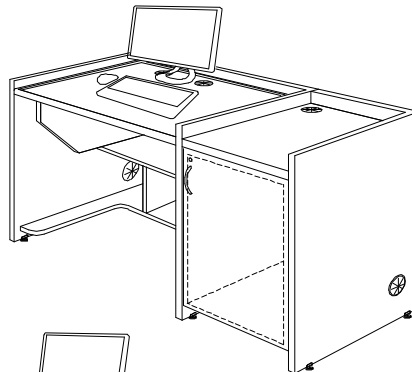
Size: 39"W x 30"D x 36"H
 Surface: 34"H Fixed Top / (2) 60mm grommets, (1) pencil stop laptop power-data&VGA
 Option: 34"- 44" High Adjustable
 Monitor Options: LCD on surface / LCD in recessed well LCD on monitor arm
 CPU: Not Available
 Features: Storage Shelves / Wire Management / Cable Pass / Floor Levelers
 Other Options: Casters (wheels) / Desktop Cutouts: SPECIFY and LOCATE (no additional charges)



CABINET OPTIONS

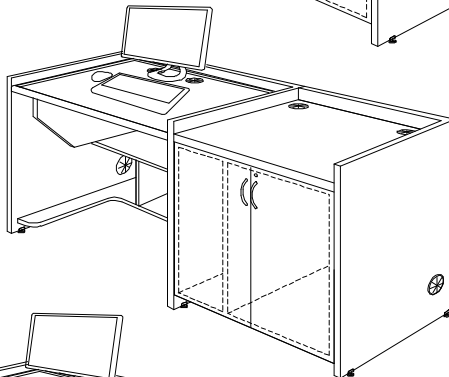
1. RACK CABINET / 12RU

Size: 20"W x 30"D x 36"H
 Features: 34"H Fixed Top with (1) grommet & pencil stop. Front Door / locked. 12RU Front Rack Rails. Rear Access / locked. Cable Pass-thru and Floor Levelers.



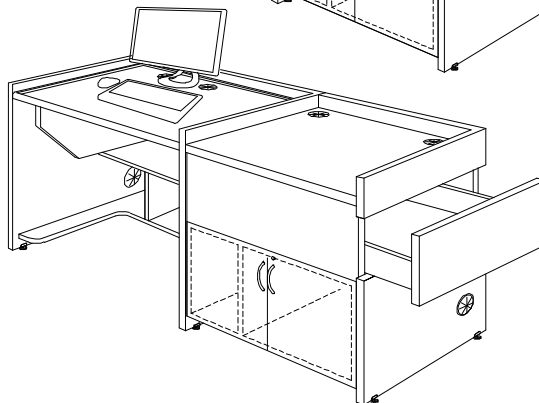
2. RACK CABINET / 12RU / TOWER STORAGE

Size: 30"W x 30"D x 36"H
 Features: 34"H Fixed Top with (2) grommets & pencil stop. Pair of Doors / locked. CPU Tower Storage. 12RU Front Rack Rails. Rear Access / locked. Cable Pass-thru and Floor Levelers.



3. DOC. CAMERA DRAWER / RACK CAB'T. / 8 RU

Size: 30"W x 30"D x 36"H
 Features: 34"H Fixed Top with (2) grommets & pencil stop. Document Camera Drawer (locked) opens @ Right end. Pair of Doors below / locked. MiniTower Storage. 8RU Front Rack Rails. Rear Access / locked. Cable Pass-thru and Floor Levelers.



Unit / Description	\$LIST
--------------------	--------

MHEC NET

ADAM.3930.36.FD.LS.FL Fixed Desktop / Floor Levelers Standard Laminate Finish	\$1,995	D&I_\$1197 TG_\$1037
Option 1. / Adjustable Height Desktop / 34"- 44" / Whisper-quiet Electric Lift	\$1,295	D&I_\$777 TG_\$673
Option 2. / Recessed Well in desktop / 18" - 22" moni- tors recess into desktop.	\$350	D&I_\$210 TG_\$182
Option 3. / Monitor Arm / Hopper by K&V	\$329	D&I_\$197 TG_\$171
Option 4. / Casters in place of floor levelers.	\$95	D&I_\$57 TG_\$49
Option 5. / Desktop cutouts at no additional charge. Please specify.	\$00	D&I_\$0 TG_\$0

Unit / Description	\$LIST
--------------------	--------

MHEC NET

ADAM.2030.36.RC.12.RU Rack Cabinet / 12RU	\$2,095	D&I_\$1257 TG_\$1089
Option 4. / Casters in place of floor levelers.	\$95	D&I_\$57 TG_\$49
Option 5. / Desktop cutouts at no additional charge. Please specify.	\$00	D&I_\$0 TG_\$0
ADAM.3030.36.RC.12.TW Rack Cabinet / 12RU / Tower Storage	\$2,995	D&I_\$1797 TG_\$1557
Option 4. / Casters in place of floor levelers.	\$95	D&I_\$57 TG_\$49
Option 5. / Desktop cutouts at no additional charge. Please specify.	\$00	D&I_\$0 TG_\$0

ADAM.3030.36.DC.RC.08 Document Camera Drawer / Rack Cabinet / 8 RU	\$3,895	D&I_\$2337 TG_\$2025
Option 4. / Casters in place of floor levelers.	\$95	D&I_\$57 TG_\$49
Option 5. / Desktop cutouts at no additional charge. Please specify.	\$00	D&I_\$0 TG_\$0

Unit / TOTAL	\$LIST
--------------	--------

\$.00

<p>E O N D E S I G N S</p> <p>C U B E</p> <p>S M A R T D E S K S</p> <p>PRICE LIST / SPECIFIER F.O.B. Norwich, CT effective 2011</p>	<p><< CUBE DESKS >></p> <p>are a simple solution to a "smart" instructor's console. Cube Desks have a large 60" x 30" desktop with room for monitors, keyboards, document cameras, and other teaching tools. A full-height rack storage cabinet provides space for computer, DVD, and other AV components. Options are listed below. Desks ship 'knocked down' for assembly in the field.</p>	<p>GENERAL SPECIFICATIONS</p> <ol style="list-style-type: none"> Std. desks have cable grommets, wire-management shelf, and levelers. Std. desks have (1) rack cabinet (no rack rails) with open-front & rear lockable door, and passive venting. Available in WilsonArt Fusion Maple, Wild Cherry, Phantom Gray Matrix, and Black. Call the factory for pricing on other laminates. Edgebanding and all other trim is Black..
---	---	---

60"W x 30"D x 34"HIGH DESKS / STANDARD FEATURES	Desk / Size	\$LIST	
---	-------------	--------	--

MHEC NET

Keyboard: DESKTOP

Monitor: DESKTOP

CPU: RACKMOUNT

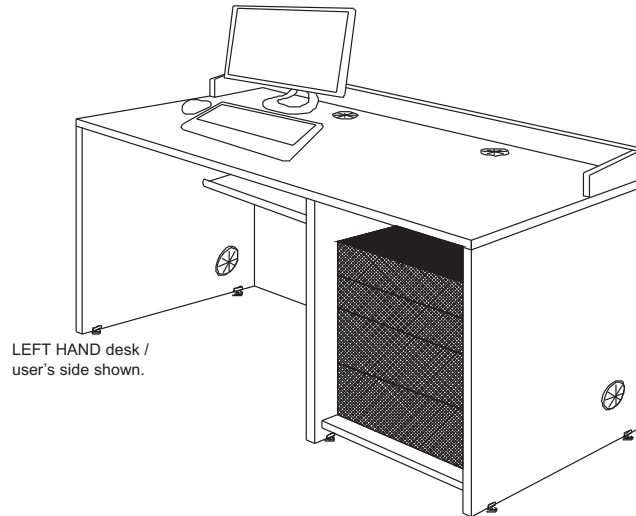
Cableways: 80MM GROMMETS all vertical panels. (2) 60 MM GROMMETS in desktop.

Kneespace: ADA COMPLIANT (37"W x 20"D x 33"H) 8"D Wire Tray

Desk Cabinet: RACK STORAGE (20"W x 19"D x 31"H) with open front & vented rear (lockable) door.

Additional Desktop Cutouts: SPECIFY and LOCATE (no additional charges)

Specify: LEFT or RIGHT HAND



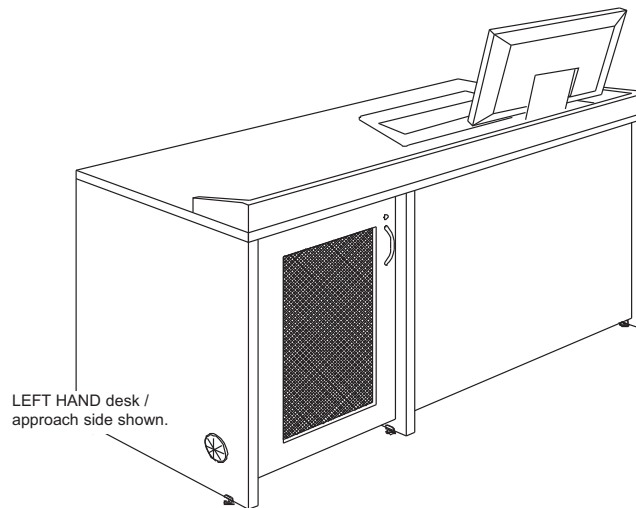
CBdk6030.34.LEFT \$3,395 D&I_\$3597 TG__\$3117
60"W x 30"D x 34"H

CBdk6030.34.RIGHT \$3,395 D&I_\$3597 TG__\$3117
60"W x 30"D x 34"H

D&I = delivered & installed
TG = tailgate delivery
See prices for options below.

OPTIONS

- 1. Front Door / Rack Storage**
solid door with handle and lock.
- 2. Hopper Monitor Arm**
15.5" long arm with 360 degree swivel and tilt-pivot movement.
- 3. Power-Data Grommet**
with 2 AC outlets & 2 RJ45's - default location is @ center rear of desktop.
- 4. Front Rack Rails**
17 RU spaces
- 4. Rear Rack Rails**
17 RU spaces



OPTIONS	\$LIST	
---------	--------	--

MHEC NET

1. CLec.FD.RSG \$299 D&I_\$179 TG__\$155
Front Door / Rack Storage /

2. CLec.MA.HOP \$329 D&I_\$197 TG__\$171
Monitor Arm / Idea @

3. CLec.GT.PWD \$219 D&I_\$131 TG__\$114
Grommet / Power-Data

4. CLec.RR.FRT \$149 D&I_\$89 TG__\$77
Rack Rails / Front

5. CLec.RR.REAR \$149 D&I_\$89 TG__\$77
Rack Rails / Rear

B. MOBILITE LECTERN / STANDARD FINISHES:				FINISH	\$LIST
--	--	--	--	--------	--------

Fusion Maple	Wild Cherry	Phantom Gray Matrix	Black	FUSION MAPLE	+ \$00
				WILD CHERRY	+ \$00
				PHANTOM GRAY	+ \$00
				BLACK	+ \$00

<p>E O N D E S I G N S</p> <h1 style="margin: 0;">ADAPTABLES</h1> <p>SMART CLASSROOM TABLES</p> <p>PRICE LIST / SPECIFIER F.O.B. Norwich, CT effective 2014</p>	<h2 style="margin: 0;">ADAPTABLES</h2> <p>are designed for "all-in-one" computers like the iMac27; safely storing and displaying the largest computers in the smallest possible footprint and thus allowing for optimal classroom layouts.</p> <p>Two of the three product versions store the LCD in a secure, "submerged" fashion that allows for alternate non-computer use.</p> <p>CPU storage and larger sizes are available.</p>	<h2 style="margin: 0;">GENERAL SPECIFICATIONS</h2> <ol style="list-style-type: none"> 1. Standard tables have a power strip, wire management, and levelers. 2. Standard tables have "passthru" capability for networking. 3. Standard bases are 6" Oval Column C Bases in a Powdercoat Finish. 4. List Pricing covers *(6) Standard Legacy Laminates on Tabletops and Modesty Panels. <p>* See Workstation Finishes Page.</p>		
24" Deep Tables		Workstation / Size	\$LIST	MHEC NET

SPLIT TOP

Keyboard: TABLETOP
 Monitor: RECESSED WELL
 CPU: See ATS4624.SPLT.CPU

Features:
 1. Table Size / 36"W x 24"D x 30"H
 2. Work Surface / 36" x 14"
 3. Monitor Well partially submerges (up to 27") monitor for better sight lines.
 4. 3/4" Diameter Holes for monitor security.
 5. (2) 60MM Grommets in recessed well.
 6. 7-Outlet Power Strip.
 7. Wire Manager



ATS3624.SPLT 36"W x 24"D x 30"H	\$1170	D&I_\$702 TG__\$562
ATS4624.SPLT.CPU 46"W x 24"D x 30"H This version has an extended top, a CPU Shelf, and a vertical wire manager.	\$1545	D&I_\$927 TG__\$803
ATS7224.SPLT.DBL 72"W x 24"D x 30"H	\$1930	D&I_\$1158 TG__\$1004

D&I = delivered & installed
 TG = tailgate delivery

FLIP TOP

Keyboard: INTEGRATED TRAY
 Monitor: FOLD-OUT BRACKET
 CPU: See ATS4624.FLIP.CPU

Features:
 1. Table Size / 36"W x 24"D x 30"H
 2. Work Surface / 30"x15" for computer use or 36"x 24" for non-computer use.
 3. Keyboard Tray manually folds out then Monitor folds up into position for viewing.
 4. 7-Outlet Power Strip.
 5. Wire Manager.
 6. Mouse Holder.



ATS3624.FLIP 36"W x 24"D x 30"H	\$1886	D&I_\$1132 TG__\$981
ATS4624.FLIP.CPU 46"W x 24"D x 30"H 46"W x 24"D x 30"H This version has an extended top, a CPU Shelf, and a vertical wire manager.	\$2261	D&I_\$1357 TG__\$1176
ATS7224.FLIP.DBL 72"W x 24"D x 30"H	\$3111	D&I_\$1867 TG__\$1618

POP TOP

Keyboard: TABLETOP
 Monitor: MOTORIZED LIFT
 CPU: See ATS4624.POPT.CPU

Features:
 1. Table Size / 36"W x 24"D x 30"H
 2. Work Surface / 36"x14" for computer use or 36"x 24" for non-computer use.
 3. Monitor raises up on motorized lift.
 4. Monitor & Keyboard store safely below.
 5. 7-Outlet Power Strip.
 6. Wire Manager.



ATS3624.POPT 36"W x 24"D x 30"H	\$2608	D&I_\$1565 TG__\$1356
ATS4624.POPT.CPU 46"W x 24"D x 30"H 46"W x 24"D x 30"H This version has an extended top, a CPU Shelf, and a vertical wire manager.	\$2983	D&I_\$1790 TG__\$1552

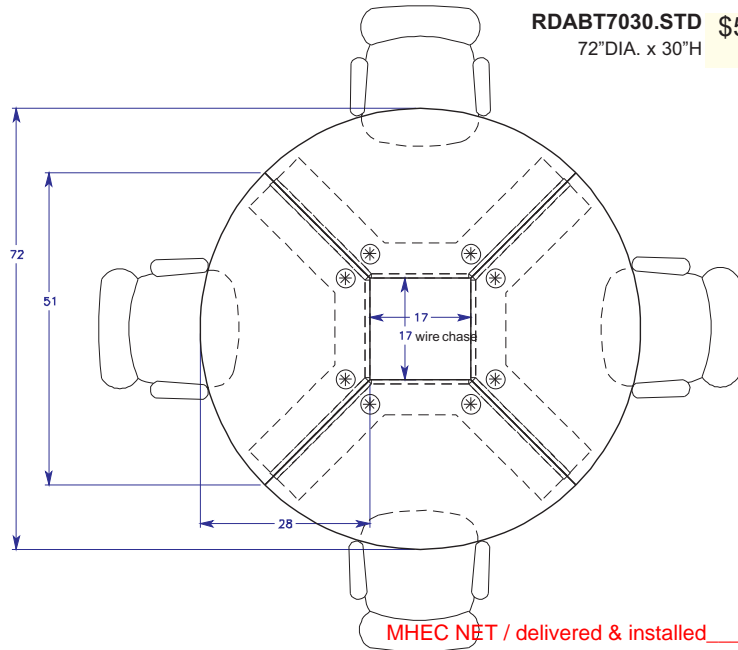
Table Option	Description	Product Number	\$LIST	MHEC NET
1. Keyboard Drawer	with Sliding Mousetray / Option for Split Top only!	CKdw4000.KYBD	\$277	D&I_\$166 TG__\$144
2. Monitor Lockdown	Flat panel monitor Security Feature for Pop Top or Flip Top only!	CLdn5000.LCD	\$49	D&I_\$29 TG__\$25
3. Casters	Set of (4) casters - will raise the height of the table by approx. 1"	CLdn5000.LCD	\$40	D&I_\$24 TG__\$21

<p>E O N D E S I G N S</p> <h1>ROUNABOUT</h1> <p>ROUND COMPUTER TABLE</p> <p>PRICE LIST / SPECIFIER F.O.B. Norwich, CT effective 2014</p>	<h2>ROUNABOUT</h2> <p>ROUNABOUT is a round computer table built in sections that accommodates LCD displays and computers in a similar fashion to our classroom tables.</p> <p>ROUNABOUT is standard in a 4-seat 72" diameter model, but we will gladly quote larger sizes with custom details to your specification. Call the factory for a quote at 860-892-5361.</p>	<h3>GENERAL SPECIFICATIONS</h3> <ol style="list-style-type: none"> 1. Construction is 3/4" MDF core panels with 2 MM PVC banding - color is Black. 2. 4 Standard laminate finishes are shown below. 3. Custom laminate finishes are available at an upcharge - call for a quote. 4. Veneer finishes are available - call the factory. 	
ROUNABOUT TABLE 7230 / STD. FEATURES		Table / Size	\$LIST

1. Overall Size: 72"Diameter x 30"H

Per Seat:

2. Table Top Worksurface: 51"W x 28"D for tabletop monitor.
3. (2) 60MM Cable Grommets in tabletop.
4. 17" x 17" Open Center / Wire Chase.
5. Wraparound CPU Shelf.
6. Back Panel with 7-Outlet Power Strip & Wire Manager.
7. Choice of 4 Standard Laminates.



RDABT7030.STD \$5,495
72"DIA. x 30"H

STANDARD FINISHES

Fusion Maple Black Edges	Wild Cherry Black Edges	Phantom Gray Black Edges	Black Black Edges

MHEC NET / delivered & installed ___\$3297
MHEC NET / tailgate delivery ___\$2857
See prices for options below.

OPTIONAL FEATURES as shown in photo @ right>>>

1. **SPLIT TOP / Recessed Monitor Shelf** +\$349 each. Tabletop becomes 21"D with this option.
2. Desktop Power/Data Device +\$259 each.
3. Keyboard Drawer +\$259 each
4. WILD CHERRY Standard Laminate Finish +00

TOTAL LIST PRICE AS SHOWN @ right \$8963

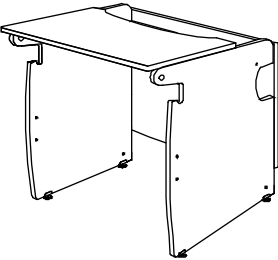
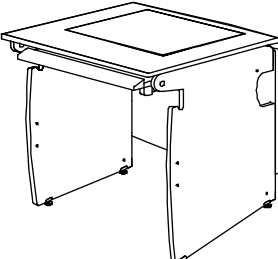
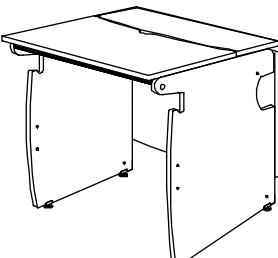


Options	Description	Product Number	\$LIST	MHEC NET
1. POP TOP / Embedded Monitor	A Pivoting Panel in the tabletop / LCD display mounts to underside / cost each	RDABT.POP	\$350	D&L_\$210 / TG_\$182
2. SPLIT TOP / Recessed Monitor	A Recessed Shelf at rear of tabletop / LCD sits down approx. 4" / cost each	RDABT.SPLT	\$350	D&L_\$210 / TG_\$182
3. ADA COMPLIANT MODEL	Similar round table design with seats complying to ADA standards	RDABT.ADA	call factory	
4. PRIVACY UPPER STRUCTURE	Partitioned upper unit with shelf for Study Carrel application	RDABT.PUS	call factory	
5. CUSTOM TABLE SIZES	Other than 72" diameter model shown above.	RDABT.CTS	call factory	

<p>E O N D E S I G N S</p> <p>M O D U L A R</p> <p>S M A R T</p> <p>C L A S S R O O M T A B L E S</p> <p>PRICE LIST / SPECIFIER F.O.B. Norwich, CT effective 2009</p>	<p><< MODULAR >></p> <p>Modular Smart Classroom Tables are the most flexible product to create configurations and modify them in the future. They are non-handed and come with RTA hardware on both ends allowing for attachment of many accessories. CPU Cabinets can be attached as accessories.</p>	<p>GENERAL SPECIFICATIONS</p> <p>1. Standard tables have wiremanagement, venting and levelers. 2. Standard tables have "passthru" capability for networking. 3. Support panels are Nevamar #MR-6-7T "Phantom Grey Matrix". All trim is Black. 4. List Pricing covers *(6) Standard Legacy Laminates on tabletops and modesty panels.</p> <p>* See Classroom Tables Finishes Page.</p>
--	---	---

24" DEEP WORKSTATIONS	Table / Size	\$LIST
-----------------------	--------------	--------

MHEC NET

Table Option	Description	Product Number	\$LIST
<p>SPLIT TOP</p> <p>Keyboard: TABLETOP</p> <p>Option: KEYBOARD DRAWER</p> <p>Monitor: RECESSED WELL is designed for a LCD DISPLAY (up to a 20" screen). Includes a cord drop.</p> <p>CPU: SEE ACCESSORIES</p>	 <p style="text-align: center;">Shown here with Keyboard Drawer!</p>	<p>CMws2724.SPLT.LCD \$975</p> <p>27"W x 24"D x 30"H</p>	<p>D&I_\$585</p> <p>TG__\$507</p>
		<p>CMws3024.SPLT.LCD \$1025</p> <p>30"W x 24"D x 30"H</p>	<p>D&I_\$615</p> <p>TG__\$533</p>
		<p>CMws3324.SPLT.LCD \$1075</p> <p>33"W x 24"D x 30"H</p>	<p>D&I_\$645</p> <p>TG__\$559</p>
<p>POP TOP</p> <p>Keyboard: KEYBOARD DRAWER with Sliding Mouse tray</p> <p>Monitor: PIVOTING PANEL is designed to mount a 17" LCD DISPLAY. Panel pivots up to view.</p> <p>CPU: SEE ACCESSORIES</p> <p>Features: FLUSH TABLETOP for non-computer use.</p>		<p>CMws2724.POPT.LCD \$1575</p> <p>27"W x 24"D x 30"H</p>	<p>D&I_\$945</p> <p>TG__\$819</p>
		<p>CMws3024.POPT.LCD \$1625</p> <p>30"W x 24"D x 30"H</p>	<p>D&I_\$975</p> <p>TG__\$845</p>
		<p>CMws3324.POPT.LCD \$1675</p> <p>33"W x 24"D x 30"H</p>	<p>D&I_\$1005</p> <p>TG__\$871</p>
<p>FLIP TOP</p> <p>Keyboard: KEYBOARD TRAY folds out of tabletop.</p> <p>Monitor: SUBMERGED bracket is designed to mount a 17" LCD DISPLAY. LCD pivots up to view.</p> <p>CPU: SEE ACCESSORIES</p> <p>Features: FLUSH TABLETOP for non-computer use.</p>		<p>CMws2724.FLIP.LCD \$1575</p> <p>27"W x 24"D x 30"H</p>	<p>D&I_\$945</p> <p>TG__\$819</p>
		<p>CMws3024.FLIP.LCD \$1625</p> <p>30"W x 24"D x 30"H</p>	<p>D&I_\$975</p> <p>TG__\$845</p>
		<p>CMws3324.FLIP.LCD \$1675</p> <p>33"W x 24"D x 30"H</p>	<p>D&I_\$1005</p> <p>TG__\$871</p>

D&I = delivered & installed
 TG = tailgate delivery
 See prices for options below.

MHEC NET

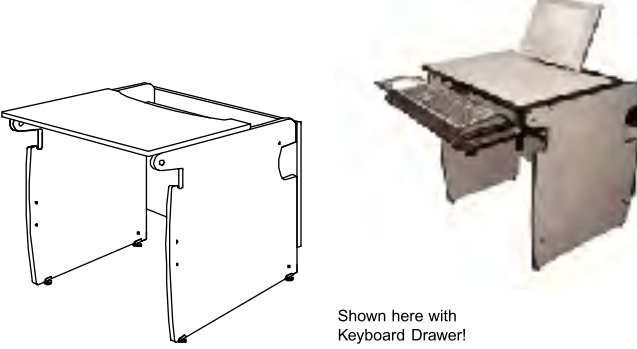
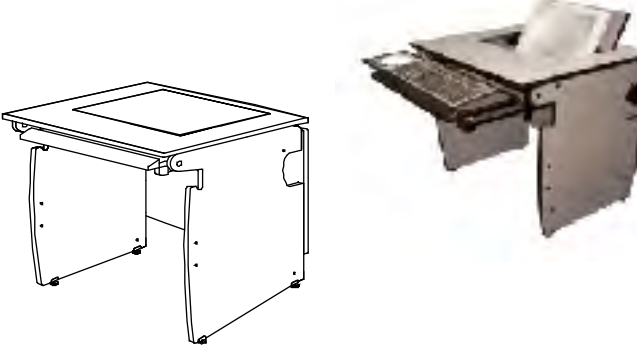
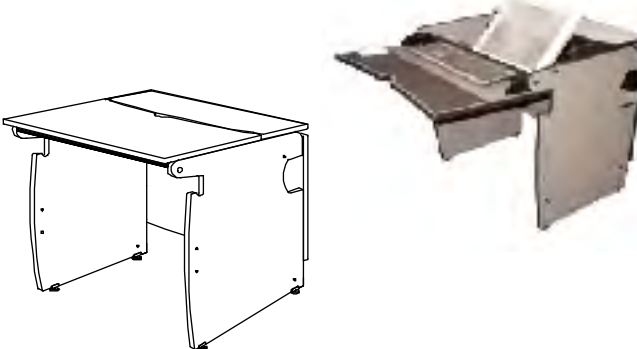
See the [TABLE OPTIONS PAGE](#) for more detail on these options!

1. 7-Outlet Surge Strip	Black and Satin Aluminum with 6'-0" cord and grounded plug.	CEss1000.SURG	\$85 D&I_\$51 / TG_\$44
2. 3-Circuit Power Package	Modular 3-circuit system / 3 outlets per workstation.	CEmp1000.MODU	\$245 D&I_\$147 / TG_\$127
3. Power Infeed (Hardwired)	Use with Item 2. / 48" long Liquid-Tite whip with modular connector.	CEhw1000.POIF	\$129 D&I_\$77 / TG_\$67
4. Basic Voice-Data Plate	TelComm plate with (1) RJ11 & (2) RJ45's. This plate fits the 'knock-out' provided in the standard plastic wiremanager or the optional Front-Load Raceway. Note: the 'knock-out' will also fit other manufacturer's plates.	CLvo1500.VODA	\$129 D&I_\$77 / TG_\$67
5. 27" Front-Load Raceway	for 27"W workstation / Hinged panel @front for easy power and data access.	CRfi2700.ACCS	\$179 D&I_\$107 / TG_\$93
6. 30" Front-Load Raceway	for 30"W workstation / Hinged panel @front for easy power and data access.	CRfi3000.ACCS	\$189 D&I_\$113 / TG_\$98
7. 33" Front-Load Raceway	for 33"W workstation / Hinged panel @front for easy power and data access.	CRfi3300.ACCS	\$199 D&I_\$119 / TG_\$103
8. Keyboard Drawer	with Sliding Mouse tray / Option for Split Top only!	CKdw4000.KYBD	\$299 D&I_\$179 / TG_\$155
9. LCD Lockdown	Flat panel monitor Security Feature for Pop Top or Flip Top only!	CLdn5000.LCD	\$59 D&I_\$35 / TG_\$31
10. Computer Security	Computer Security feature for all versions of product.	See OPTIONS page.	

<p>E O N D E S I G N S</p> <p>M O D U L A R</p> <p>S M A R T</p> <p>C L A S S R O O M T A B L E S</p> <p>PRICE LIST / SPECIFIER F.O.B. Norwich, CT effective 2009</p>	<p><< MODULAR >></p> <p>Modular Smart Classroom Tables are the most flexible product to create configurations and modify them in the future. They are non-handed and come with RTA hardware on both ends allowing for attachment of many accessories. CPU Cabinets can be attached as accessories.</p>	<p>GENERAL SPECIFICATIONS</p> <ol style="list-style-type: none"> Standard tables have wiremanagement, venting and levelers. Standard tables have "passthru" capability for networking. Support panels are Nevamar #MR-6-7T "Phantom Grey Matrix". All trim is Black. List Pricing covers *(6) Standard Legacy Laminates on tabletops and modesty panels. <p>* See Classroom Tables Finishes Page.</p>
--	---	--

30" DEEP WORKSTATIONS	Table / Size	\$LIST
-----------------------	--------------	--------

MHEC NET

<p>SPLIT TOP</p> <p>Keyboard: TABLETOP</p> <p>Option: KEYBOARD DRAWER</p> <p>Monitor: RECESSED WELL is designed for a LCD DISPLAY (up to a 20" screen). Includes cord drop.</p> <p>CPU: SEE ACCESSORIES</p>	 <p>Shown here with Keyboard Drawer!</p>	<table border="1" style="width: 100%;"> <tr> <td>CMws2730.SPLT.LCD</td> <td>27"W x 30"D x 30"H</td> <td>\$1025</td> <td>D&I_\$615 TG__\$533</td> </tr> <tr> <td>CMws3030.SPLT.LCD</td> <td>30"W x 30"D x 30"H</td> <td>\$1075</td> <td>D&I_\$645 TG__\$559</td> </tr> <tr> <td>CMws3330.SPLT.LCD</td> <td>33"W x 30"D x 30"H</td> <td>\$1125</td> <td>D&I_\$675 TG__\$585</td> </tr> </table> <p>D&I = delivered & installed TG = tailgate delivery See prices for options below.</p>	CMws2730.SPLT.LCD	27"W x 30"D x 30"H	\$1025	D&I_\$615 TG__\$533	CMws3030.SPLT.LCD	30"W x 30"D x 30"H	\$1075	D&I_\$645 TG__\$559	CMws3330.SPLT.LCD	33"W x 30"D x 30"H	\$1125	D&I_\$675 TG__\$585
CMws2730.SPLT.LCD	27"W x 30"D x 30"H	\$1025	D&I_\$615 TG__\$533											
CMws3030.SPLT.LCD	30"W x 30"D x 30"H	\$1075	D&I_\$645 TG__\$559											
CMws3330.SPLT.LCD	33"W x 30"D x 30"H	\$1125	D&I_\$675 TG__\$585											
<p>POP TOP</p> <p>Keyboard: KEYBOARD DRAWER with Sliding Mouse tray</p> <p>Monitor: PIVOTING PANEL is designed to mount a 17" LCD DISPLAY. Panel pivots up to view.</p> <p>CPU: SEE ACCESSORIES</p> <p>Features: FLUSH TABLETOP for non-computer use.</p>		<table border="1" style="width: 100%;"> <tr> <td>CMws2730.POPT.LCD</td> <td>27"W x 30"D x 30"H</td> <td>\$1625</td> <td>D&I_\$975 TG__\$845</td> </tr> <tr> <td>CMws3030.POPT.LCD</td> <td>30"W x 30"D x 30"H</td> <td>\$1675</td> <td>D&I_\$1005 TG__\$871</td> </tr> <tr> <td>CMws3330.POPT.LCD</td> <td>33"W x 30"D x 30"H</td> <td>\$1725</td> <td>D&I_\$1035 TG__\$897</td> </tr> </table>	CMws2730.POPT.LCD	27"W x 30"D x 30"H	\$1625	D&I_\$975 TG__\$845	CMws3030.POPT.LCD	30"W x 30"D x 30"H	\$1675	D&I_\$1005 TG__\$871	CMws3330.POPT.LCD	33"W x 30"D x 30"H	\$1725	D&I_\$1035 TG__\$897
CMws2730.POPT.LCD	27"W x 30"D x 30"H	\$1625	D&I_\$975 TG__\$845											
CMws3030.POPT.LCD	30"W x 30"D x 30"H	\$1675	D&I_\$1005 TG__\$871											
CMws3330.POPT.LCD	33"W x 30"D x 30"H	\$1725	D&I_\$1035 TG__\$897											
<p>FLIP TOP</p> <p>Keyboard: KEYBOARD TRAY folds out of tabletop.</p> <p>Monitor: SUBMERGED bracket is designed to mount a 17" LCD DISPLAY. LCD pivots up to view.</p> <p>CPU: SEE ACCESSORIES</p> <p>Features: FLUSH TABLETOP for non-computer use.</p>		<table border="1" style="width: 100%;"> <tr> <td>CMws2730.FLIP.LCD</td> <td>27"W x 30"D x 30"H</td> <td>\$1625</td> <td>D&I_\$975 TG__\$845</td> </tr> <tr> <td>CMws3030.FLIP.LCD</td> <td>30"W x 30"D x 30"H</td> <td>\$1675</td> <td>D&I_\$1005 TG__\$871</td> </tr> <tr> <td>CMws3330.FLIP.LCD</td> <td>33"W x 30"D x 30"H</td> <td>\$1725</td> <td>D&I_\$1035 TG__\$897</td> </tr> </table>	CMws2730.FLIP.LCD	27"W x 30"D x 30"H	\$1625	D&I_\$975 TG__\$845	CMws3030.FLIP.LCD	30"W x 30"D x 30"H	\$1675	D&I_\$1005 TG__\$871	CMws3330.FLIP.LCD	33"W x 30"D x 30"H	\$1725	D&I_\$1035 TG__\$897
CMws2730.FLIP.LCD	27"W x 30"D x 30"H	\$1625	D&I_\$975 TG__\$845											
CMws3030.FLIP.LCD	30"W x 30"D x 30"H	\$1675	D&I_\$1005 TG__\$871											
CMws3330.FLIP.LCD	33"W x 30"D x 30"H	\$1725	D&I_\$1035 TG__\$897											
Table Option	Description	Product Number	\$LIST											

MHEC NET

See the [TABLE OPTIONS PAGE](#) for more detail on these options!

1. 7-Outlet Surge Strip	Black and Satin Aluminum with 6'-0" cord and grounded plug.	CEss1000.SURG	\$85 D&I_\$51 / TG_\$44
2. 3-Circuit Power Package	Modular 3-circuit system / 3 outlets per workstation.	CEmp1000.MODU	\$245 D&I_\$147 / TG_\$127
3. Power Infeed (Hardwired)	Use with Item 2. / 48" long Liquid-Tite whip with modular connector.	CEhw1000.POIF	\$129 D&I_\$77 / TG_\$67
4. Basic Voice-Data Plate	TelComm plate with (1) RJ11 & (2) RJ45's. This plate fits the 'knock-out' provided in the standard plastic wiremanager or the optional Front-Load Raceway. Note: the 'knock-out' will also fit other manufacturer's plates.	CLvo1500.VODA	\$129 D&I_\$77 / TG_\$67
5. 27" Front-Load Raceway	for 27"W workstation / Hinged panel @front for easy power and data access.	CRfi2700.ACCS	\$179 D&I_\$107 / TG_\$93
6. 30" Front-Load Raceway	for 30"W workstation / Hinged panel @front for easy power and data access.	CRfi3000.ACCS	\$189 D&I_\$113 / TG_\$98
7. 33" Front-Load Raceway	for 33"W workstation / Hinged panel @front for easy power and data access.	CRfi3300.ACCS	\$199 D&I_\$119 / TG_\$103
8. Keyboard Drawer	with Sliding Mouse tray / Option for Split Top only!	CKdw4000.KYBD	\$299 D&I_\$179 / TG_\$155
9. LCD Lockdown	Flat panel monitor Security Feature for Pop Top or Flip Top only!	CLdn5000.LCD	\$59 D&I_\$35 / TG_\$31
10. Computer Security	Computer Security feature for all versions of product.	See OPTIONS page.	

<p>E O N D E S I G N S</p> <p>S O L O</p> <p>S M A R T</p> <p>C L A S S R O O M T A B L E S</p> <p>PRICE LIST / SPECIFIER F.O.B. Norwich, CT effective 2009</p>	<p><< SOLO >></p> <p>Solo Smart Classroom Tables are designed with an integrated CPU cabinet. They can freestand, connect to each other or other components, as well as start or end a string of workstations. Solo Tables are "handed" units designated by the position of the CPU cabinet. Left-handed units are illustrated below.</p>	<p>GENERAL SPECIFICATIONS</p> <ol style="list-style-type: none"> Std. workstations have wiremanagement, venting, levelers and a fully, accessible CPU cabinet. Std. workstations have "passthru" capability for networking. Support panels are Nevamar #MR-6-7T "Phantom Grey Matrix". All trim is Black. List Pricing covers *(6) Standard Legacy Laminates on Desktops and Modesty Panels. <p>* See Classroom Tables Finishes Page.</p>
--	--	--

24" DEEP WORKSTATIONS	Table / Size	\$LIST
-----------------------	--------------	--------

MHEC NET

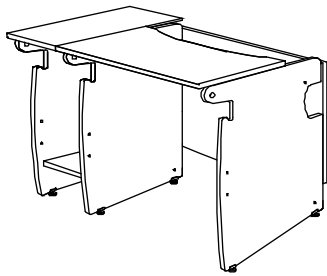
SPLIT TOP

Keyboard: TABLETOP

Option: KEYBOARD DRAWER

Monitor: RECESSED WELL is designed for a LCD DISPLAY (up to a 20" screen). Includes cord drop.

CPU: INTEGRATED CAB'T.



D&I = delivered & installed
 TG = tailgate delivery
 See prices for options below.

CSws3724.SPLT.LCD.L / R	\$1575	D&I_\$945 TG__\$819
37"W x 24"D x 30"H		
CSws4024.SPLT.LCD.L / R	\$1625	D&I_\$975 TG__\$845
40"W x 24"D x 30"H		
CSws4324.SPLT.LCD.L / R	\$1675	D&I_\$1005 TG__\$871
43"W x 24"D x 30"H		
Use Suffix "L" for Left / "R" for Right!		
<p>Note: Solos have a CPU Rear Access Panel. To eliminate this feature (and have a fixed, full width Modesty Panel) take a credit of \$174.</p>		

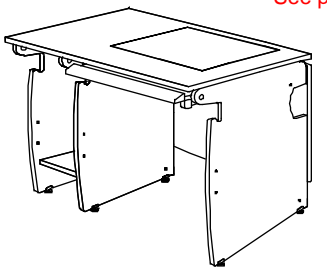
POP TOP

Keyboard: KEYBOARD DRAWER with Sliding Mousetray

Monitor: PIVOTING PANEL is designed to mount a 17" LCD DISPLAY. Panel pivots up to view.

Features: FLUSH TABLETOP

CPU: INTEGRATED CAB'T.



CSws3724.POPT.LCD.L / R	\$2175	D&I_\$1305 TG__\$1131
37"W x 24"D x 30"H		
CSws4024.POPT.LCD.L / R	\$2225	D&I_\$1335 TG__\$1157
40"W x 24"D x 30"H		
CSws4324.POPT.LCD.L / R	\$2275	D&I_\$1365 TG__\$1183
43"W x 24"D x 30"H		
Use Suffix "L" for Left / "R" for Right!		
<p>Note: Solos have a CPU Rear Access Panel. To eliminate this feature (and have a fixed, full width Modesty Panel) take a credit of \$174.</p>		

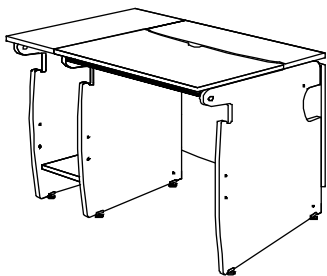
FLIP TOP

Keyboard: KEYBOARD TRAY folds out of tabletop.

Monitor: SUBMERGED bracket is designed to mount a 17" LCD DISPLAY. LCD pivots up to view.

Features: FLUSH TABLETOP

CPU: INTEGRATED CAB'T.



CSws3724.FLIP.LCD.L / R	\$2175	D&I_\$1305 TG__\$1131
37"W x 24"D x 30"H		
CSws4024.FLIP.LCD.L / R	\$2225	D&I_\$1335 TG__\$1157
40"W x 24"D x 30"H		
CSws4324.FLIP.LCD.L / R	\$2275	D&I_\$1365 TG__\$1183
43"W x 24"D x 30"H		
Use Suffix "L" for Left / "R" for Right!		
<p>Note: Solos have a CPU Rear Access Panel. To eliminate this feature (and have a fixed, full width Modesty Panel) take a credit of \$174.</p>		

Table Option	Description	Product Number	\$LIST
--------------	-------------	----------------	--------

MHEC NET

See the [TABLE OPTIONS PAGE](#) for more detail on these options!

1. 7-Outlet Surge Strip	Black and Satin Aluminum with 6'-0" cord and grounded plug.	CEss1000.SURG	\$85 D&I_\$51 / TG_\$44
2. 3-Circuit Power Package	Modular 3-circuit system / 3 outlets per workstation.	CEmp1000.MODU	\$245 D&I_\$147 / TG_\$127
3. Power Infeed (Hardwired)	Use with Item 2. / 48" long Liquid-Tite whip with modular connector.	CEhw1000.POIF	\$129 D&I_\$77 / TG_\$67
4. Basic Voice-Data Plate	TelComm plate with (1) RJ11 & (2) RJ45's. This plate fits the 'knock-out' provided in the standard plastic wiremanager or the optional Front-Load Raceway. Note: the 'knock-out' will also fit other manufacturer's plates.	CLvo1500.VODA	\$129 D&I_\$77 / TG_\$67
5. 27" Front-Load Raceway	for 27"W workstation / Hinged panel @front for easy power and data access.	CRfi2700.ACCS	\$179 D&I_\$107 / TG_\$93
6. 30" Front-Load Raceway	for 30"W workstation / Hinged panel @front for easy power and data access.	CRfi3000.ACCS	\$189 D&I_\$113 / TG_\$98
7. 33" Front-Load Raceway	for 33"W workstation / Hinged panel @front for easy power and data access.	CRfi3300.ACCS	\$199 D&I_\$119 / TG_\$103
8. Keyboard Drawer	with Sliding Mousetray / Option for Split Top only!	CKdw4000.KYBD	\$299 D&I_\$179 / TG_\$155
9. LCD Lockdown	Flat panel monitor Security Feature for Pop Top or Flip Top only!	CLdn5000.LCD	\$59 D&I_\$35 / TG_\$31
10. Computer Security	Computer Security feature for all versions of product.	See OPTIONS page.	

<p>E O N D E S I G N S</p> <p>S O L O</p> <p>S M A R T</p> <p>C L A S S R O O M T A B L E S</p> <p>PRICE LIST / SPECIFIER F.O.B. Norwich, CT effective 2009</p>	<p><< SOLO >></p> <p>Solo Smart Classroom Tables are designed with an integrated CPU cabinet. They can freestand, connect to each other or other components, as well as start or end a string of workstations. Solo Tables are "handed" units designated by the position of the CPU cabinet. Left-handed units are illustrated below.</p>	<p>GENERAL SPECIFICATIONS</p> <ol style="list-style-type: none"> Std. workstations have wiremanagement, venting, levelers and a fully, accessible CPU cabinet. Std. workstations have "passthru" capability for networking. Support panels are Nevamar #MR-6-7T "Phantom Grey Matrix". All trim is Black. List Pricing covers *(6) Standard Legacy Laminates on Desktops and Modesty Panels. <p>* See Classroom Tables Finishes Page.</p>
--	--	--

30" DEEP WORKSTATIONS	Table / Size	\$LIST
-----------------------	--------------	--------

MHEC NET

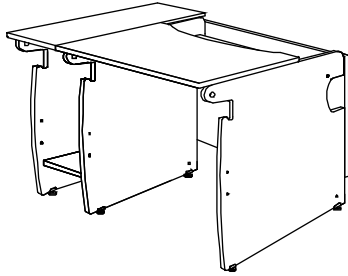
SPLIT TOP

Keyboard: TABLETOP

Option: KEYBOARD DRAWER

Monitor: RECESSED WELL is designed for a LCD DISPLAY (up to a 21" screen). Includes cord drop.

CPU: INTEGRATED CAB'T.



D&I = delivered & installed
 TG = tailgate delivery
 See prices for options below.

CSws3730.SPLT.LCD.L / R	\$1625	D&I_\$975 TG__\$845
37"W x 30"D x 30"H		
CSws4030.SPLT.LCD.L / R	\$1675	D&I_\$1005 TG__\$871
40"W x 30"D x 30"H		
CSws4330.SPLT.LCD.L / R	\$1725	D&I_\$1035 TG__\$897
43"W x 30"D x 30"H		

Use Suffix "L" for Left / "R" for Right!

Note: Solos have a CPU Rear Access Panel. To eliminate this feature (and have a fixed, full width Modesty Panel) take a credit of \$174.

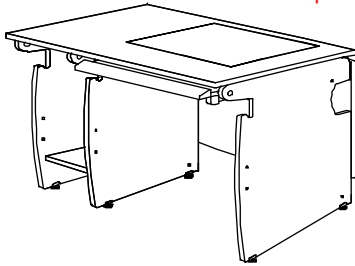
POP TOP

Keyboard: KEYBOARD DRAWER with Sliding Mousetray

Monitor: PIVOTING PANEL is designed to mount a 17" LCD DISPLAY. Panel pivots up to view.

Features: FLUSH TABLETOP

CPU: INTEGRATED CAB'T.



CSws3730.POPT.LCD.L / R	\$2225	D&I_\$1335 TG__\$1157
37"W x 30"D x 30"H		
CSws4030.POPT.LCD.L / R	\$2275	D&I_\$1365 TG__\$1183
40"W x 30"D x 30"H		
CSws4330.POPT.LCD.L / R	\$2325	D&I_\$1395 TG__\$1209
43"W x 30"D x 30"H		

Use Suffix "L" for Left / "R" for Right!

Note: Solos have a CPU Rear Access Panel. To eliminate this feature (and have a fixed, full width Modesty Panel) take a credit of \$174.

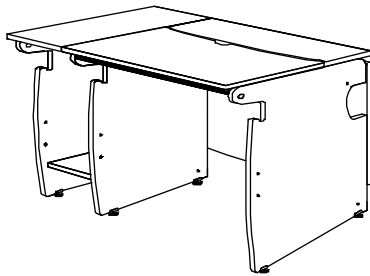
FLIP TOP

Keyboard: KEYBOARD TRAY folds out of tabletop.

Monitor: SUBMERGED bracket is designed to mount a 17" LCD DISPLAY. LCD pivots up to view.

Features: FLUSH TABLETOP

CPU: INTEGRATED CAB'T.



CSws3730.FLIP.LCD.L / R	\$2225	D&I_\$1335 TG__\$1157
37"W x 30"D x 30"H		
CSws4030.FLIP.LCD.L / R	\$2275	D&I_\$1365 TG__\$1183
40"W x 30"D x 30"H		
CSws4330.FLIP.LCD.L / R	\$2325	D&I_\$1395 TG__\$1209
43"W x 30"D x 30"H		

Use Suffix "L" for Left / "R" for Right!

Note: Solos have a CPU Rear Access Panel. To eliminate this feature (and have a fixed, full width Modesty Panel) take a credit of \$174.

Table Option	Description	Product Number	\$LIST
--------------	-------------	----------------	--------

MHEC NET

See the [TABLE OPTIONS PAGE](#) for more detail on these options!

1. 7-Outlet Surge Strip	Black and Satin Aluminum with 6'-0" cord and grounded plug.	CEss1000.SURG	\$85 D&I_\$51 / TG_\$44
2. 3-Circuit Power Package	Modular 3-circuit system / 3 outlets per workstation.	CEmp1000.MODU	\$245 D&I_\$147 / TG_\$127
3. Power Infeed (Hardwired)	Use with Item 2. / 48" long Liquid-Tite whip with modular connector.	CEhw1000.POIF	\$129 D&I_\$77 / TG_\$67
4. Basic Voice-Data Plate	TelComm plate with (1) RJ11 & (2) RJ45's. This plate fits the 'knock-out' provided in the standard plastic wiremanager or the optional Front-Load Raceway. Note: the 'knock-out' will also fit other manufacturer's plates.	CLvo1500.VODA	\$129 D&I_\$77 / TG_\$67
5. 27" Front-Load Raceway	for 27"W workstation / Hinged panel @front for easy power and data access.	CRfl2700.ACCS	\$179 D&I_\$107 / TG_\$93
6. 30" Front-Load Raceway	for 30"W workstation / Hinged panel @front for easy power and data access.	CRfl3000.ACCS	\$189 D&I_\$113 / TG_\$98
7. 33" Front-Load Raceway	for 33"W workstation / Hinged panel @front for easy power and data access.	CRfl3300.ACCS	\$199 D&I_\$119 / TG_\$103
8. Keyboard Drawer	with Sliding Mousetray / Option for Split Top only!	CKdw4000.KYBD	\$299 D&I_\$179 / TG_\$155
9. LCD Lockdown	Flat panel monitor Security Feature for Pop Top or Flip Top only!	CLdn5000.LCD	\$59 D&I_\$35 / TG_\$31
10. Computer Security	Computer Security feature for all versions of product.	See OPTIONS page.	