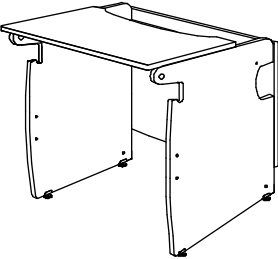

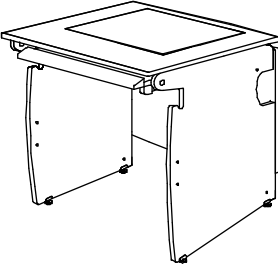

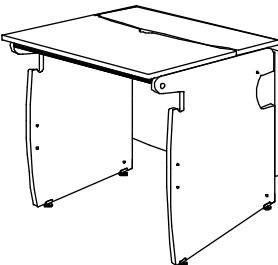



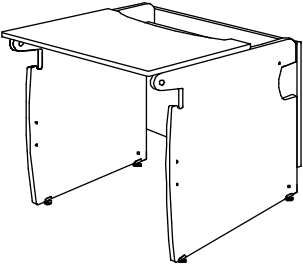

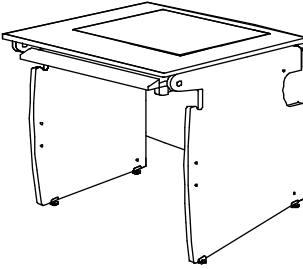

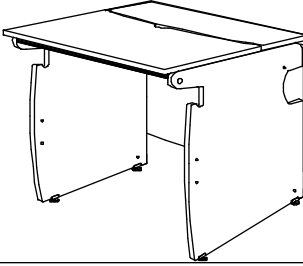

<b>E O N D E S I G N S</b>  <b>M O D U L A R</b>  <b>S M A R T</b> <b>C L A S S R O O M T A B L E S</b>  <b>PRICE LIST / SPECIFIER F.O.B. Norwich, CT</b> <b>effective 2009</b>	<b>&lt;&lt; MODULAR &gt;&gt;</b> <b>Modular Smart Classroom</b> <b>Tables are the most flexible</b> <b>product to create configurations</b> <b>and modify them in the future.</b> <b>They are non-handed and come</b> <b>with RTA hardware on both ends</b> <b>allowing for attachment of many</b> <b>accessories.</b> <b>CPU Cabinets can be attached</b> <b>as accessories.</b>	<b>GENERAL SPECIFICATIONS</b> 1. Standard tables have wiremanagement, venting and levelers. 2. Standard tables have "passthru" capability for networking. 3. Support panels are Nevamar #MR-6-7T "Phantom Grey Matrix". All trim is Black. 4. List Pricing covers *(6) Standard Legacy Laminates on tabletops and modesty panels.  * See Classroom Tables Finishes Page.
---	---	--

<b>24" DEEP WORKSTATIONS</b>		<b>Table / Size</b>	<b>\$LIST</b>
<b>SPLIT TOP</b>  Keyboard: TABLETOP  Option: KEYBOARD DRAWER  Monitor: RECESSED WELL is designed for a LCD DISPLAY (up to a 20" screen). Includes a cord drop.  CPU: SEE ACCESSORIES		 <b>CMws2724.SPLT.LCD</b> \$975 27"W x 24"D x 30"H <b>CMws3024.SPLT.LCD</b> \$1025 30"W x 24"D x 30"H <b>CMws3324.SPLT.LCD</b> \$1075 33"W x 24"D x 30"H	
<p>Shown here with Keyboard Drawer!</p>			
<b>POP TOP</b>  Keyboard: KEYBOARD DRAWER with Sliding Mouse tray  Monitor: PIVOTING PANEL is designed to mount a 17" LCD DISPLAY. Panel pivots up to view.  CPU: SEE ACCESSORIES  Features: FLUSH TABLETOP for non-computer use.		 <b>CMws2724.POPT.LCD</b> \$1575 27"W x 24"D x 30"H <b>CMws3024.POPT.LCD</b> \$1625 30"W x 24"D x 30"H <b>CMws3324.POPT.LCD</b> \$1675 33"W x 24"D x 30"H	
<b>FLIP TOP</b>  Keyboard: KEYBOARD TRAY folds out of tabletop.  Monitor: SUBMERGED bracket is designed to mount a 17" LCD DISPLAY. LCD pivots up to view.  CPU: SEE ACCESSORIES  Features: FLUSH TABLETOP for non-computer use.		 <b>CMws2724.FLIP.LCD</b> \$1575 27"W x 24"D x 30"H <b>CMws3024.FLIP.LCD</b> \$1625 30"W x 24"D x 30"H <b>CMws3324.FLIP.LCD</b> \$1675 33"W x 24"D x 30"H	
<b>Table Option</b>	<b>Description</b>	<b>Product Number</b>	<b>\$LIST</b>

See the [TABLE OPTIONS PAGE](#) for more detail on these options!

<b>1. 7-Outlet Surge Strip</b>	<i>Black and Satin Aluminum with 6'-0" cord and grounded plug.</i>	<b>CEss1000.SURG</b>	<b>\$85</b>
<b>2. 3-Circuit Power Package</b>	<i>Modular 3-circuit system / 3 outlets per workstation.</i>	<b>CEmp1000.MODU</b>	<b>\$245</b>
<b>3. Power Infeed (Hardwired)</b>	<i>Use with Item 2. / 48" long Liquid-Tite whip with modular connector.</i>	<b>CEhw1000.POIF</b>	<b>\$129</b>
<b>4. Basic Voice-Data Plate</b>	<i>TelComm plate with (1) RJ11 &amp; (2) RJ45's. This plate fits the 'knock-out' provided in the standard plastic wiremanager or the optional Front-Load Raceway. Note: the 'knock-out' will also fit other manufacturer's plates.</i>	<b>CLvo1500.VODA</b>	<b>\$129</b>
<b>5. 27" Front-Load Raceway</b>	<i>for 27"W workstation / Hinged panel @front for easy power and data access.</i>	<b>CRfi2700.ACCS</b>	<b>\$179</b>
<b>6. 30" Front-Load Raceway</b>	<i>for 30"W workstation / Hinged panel @front for easy power and data access.</i>	<b>CRfi3000.ACCS</b>	<b>\$189</b>
<b>7. 33" Front-Load Raceway</b>	<i>for 33"W workstation / Hinged panel @front for easy power and data access.</i>	<b>CRfi3300.ACCS</b>	<b>\$199</b>
<b>8. Keyboard Drawer</b>	<i>with Sliding Mouse tray / Option for Split Top only!</i>	<b>CKdw4000.KYBD</b>	<b>\$299</b>
<b>9. LCD Lockdown</b>	<i>Flat panel monitor Security Feature for Pop Top or Flip Top only!</i>	<b>CLdn5000.LCD</b>	<b>\$59</b>
<b>10. Computer Security</b>	<i>Computer Security feature for all versions of product.</i>	<b>See OPTIONS page.</b>	

<b>E O N D E S I G N S</b>  <b>M O D U L A R</b>  <b>S M A R T</b> <b>C L A S S R O O M T A B L E S</b>  <b>PRICE LIST / SPECIFIER F.O.B. Norwich, CT</b> <b>effective 2009</b>	<b>&lt;&lt; MODULAR &gt;&gt;</b> <b>Modular Smart Classroom</b> <b>Tables are the most flexible</b> <b>product to create configurations</b> <b>and modify them in the future.</b> <b>They are non-handed and come</b> <b>with RTA hardware on both ends</b> <b>allowing for attachment of many</b> <b>accessories.</b> <b>CPU Cabinets can be attached</b> <b>as accessories.</b>	<b>GENERAL SPECIFICATIONS</b> 1. Standard tables have wiremanagement, venting and levelers. 2. Standard tables have "passthru" capability for networking. 3. Support panels are Nevamar #MR-6-7T "Phantom Grey Matrix". All trim is Black. 4. List Pricing covers *(6) Standard Legacy Laminates on tabletops and modesty panels.  * See Classroom Tables Finishes Page.
---	---	--

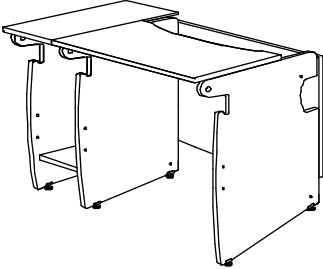
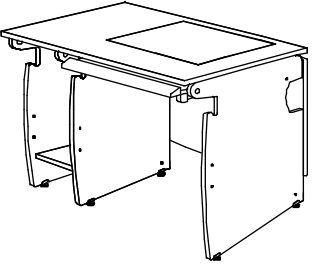
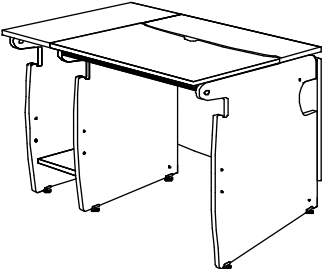
<b>30" DEEP WORKSTATIONS</b>		<b>Table / Size</b>	<b>\$LIST</b>
<b>SPLIT TOP</b>  Keyboard: TABLETOP  Option: KEYBOARD DRAWER  Monitor: RECESSED WELL is designed for a LCD DISPLAY (up to a 20" screen). Includes cord drop.  CPU: SEE ACCESSORIES	  <p>Shown here with Keyboard Drawer!</p>	<b>CMws2730.SPLT.LCD</b> 27"W x 30"D x 30"H  <b>CMws3030.SPLT.LCD</b> 30"W x 30"D x 30"H  <b>CMws3330.SPLT.LCD</b> 33"W x 30"D x 30"H	\$1025  \$1075  \$1125
<b>POP TOP</b>  Keyboard: KEYBOARD DRAWER with Sliding Mouse tray  Monitor: PIVOTING PANEL is designed to mount a 17" LCD DISPLAY. Panel pivots up to view.  CPU: SEE ACCESSORIES  Features: FLUSH TABLETOP for non-computer use.	 	<b>CMws2730.POPT.LCD</b> 27"W x 30"D x 30"H  <b>CMws3030.POPT.LCD</b> 30"W x 30"D x 30"H  <b>CMws3330.POPT.LCD</b> 33"W x 30"D x 30"H	\$1625  \$1675  \$1725
<b>FLIP TOP</b>  Keyboard: KEYBOARD TRAY folds out of tabletop.  Monitor: SUBMERGED bracket is designed to mount a 17" LCD DISPLAY. LCD pivots up to view.  CPU: SEE ACCESSORIES  Features: FLUSH TABLETOP for non-computer use.	 	<b>CMws2730.FLIP.LCD</b> 27"W x 30"D x 30"H  <b>CMws3030.FLIP.LCD</b> 30"W x 30"D x 30"H  <b>CMws3330.FLIP.LCD</b> 33"W x 30"D x 30"H	\$1625  \$1675  \$1725
<b>Table Option</b>	<b>Description</b>	<b>Product Number</b>	<b>\$LIST</b>

See the [TABLE OPTIONS PAGE](#) for more detail on these options!

1. 7-Outlet Surge Strip	Black and Satin Aluminum with 6'-0" cord and grounded plug.	<b>CEss1000.SURG</b>	\$85
2. 3-Circuit Power Package	Modular 3-circuit system / 3 outlets per workstation.	<b>CEmp1000.MODU</b>	\$245
3. Power Infeed (Hardwired)	Use with Item 2. / 48" long Liquid-Tite whip with modular connector.	<b>CEhw1000.POIF</b>	\$129
4. Basic Voice-Data Plate	TelComm plate with (1) RJ11 & (2) RJ45's. This plate fits the 'knock-out' provided in the standard plastic wiremanager or the optional Front-Load Raceway. Note: the 'knock-out' will also fit other manufacturer's plates.	<b>CLvo1500.VODA</b>	\$129
5. 27" Front-Load Raceway	for 27"W workstation / Hinged panel @front for easy power and data access.	<b>CRfl2700.ACCS</b>	\$179
6. 30" Front-Load Raceway	for 30"W workstation / Hinged panel @front for easy power and data access.	<b>CRfl3000.ACCS</b>	\$189
7. 33" Front-Load Raceway	for 33"W workstation / Hinged panel @front for easy power and data access.	<b>CRfl3300.ACCS</b>	\$199
8. Keyboard Drawer	with Sliding Mouse tray / Option <b>for Split Top only!</b>	<b>CKdw4000.KYBD</b>	\$299
9. LCD Lockdown	Flat panel monitor Security Feature <b>for Pop Top or Flip Top only!</b>	<b>CLdn5000.LCD</b>	\$59
10. Computer Security	Computer Security feature for all versions of product.	See <b>OPTIONS</b> page.	

<b>E O N D E S I G N S</b>  <b>S O L O</b>  <b>S M A R T</b> <b>C L A S S R O O M T A B L E S</b>  <b>PRICE LIST / SPECIFIER F.O.B. Norwich, CT</b> <b>effective 2009</b>	<b>&lt;&lt; SOLO &gt;&gt;</b> <b>Solo Smart Classroom Tables</b> <i>are designed with an integrated CPU cabinet. They can freestand, connect to each other or other components, as well as start or end a string of workstations. Solo Tables are "handed" units designated by the position of the CPU cabinet. Left-handed units are illustrated below.</i>	<b>GENERAL SPECIFICATIONS</b> 1. Std. workstations have wiremanagement, venting, levelers and a fully, accessible CPU cabinet. 2. Std. workstations have "passthru" capability for networking. 3. Support panels are Nevamar #MR-6-7T "Phantom Grey Matrix". All trim is Black. 4. List Pricing covers *(6) Standard Legacy Laminates on Desktops and Modesty Panels.  * See Classroom Tables Finishes Page.
---	--	--

<b>24" DEEP WORKSTATIONS</b>	<b>Table / Size</b>	<b>\$LIST</b>
------------------------------	---------------------	---------------

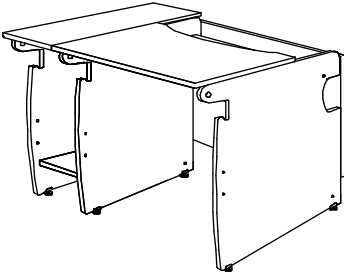
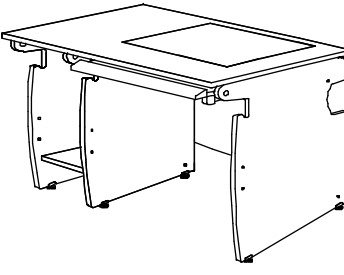
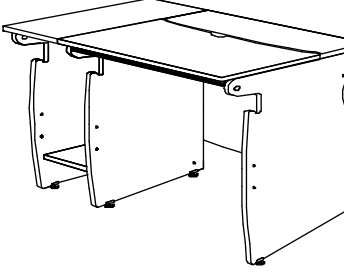
<p style="text-align: center;"><b>SPLIT TOP</b></p> Keyboard: TABLETOP Option: KEYBOARD DRAWER Monitor: RECESSED WELL is designed for a LCD DISPLAY (up to a 20" screen). Includes cord drop. CPU: INTEGRATED CAB'T.		<p><b>CSws3724.SPLT.LCD.L / R</b>    \$1575  37"W x 24"D x 30"H</p> <p><b>CSws4024.SPLT.LCD.L / R</b>    \$1625  40"W x 24"D x 30"H</p> <p><b>CSws4324.SPLT.LCD.L / R</b>    \$1675  43"W x 24"D x 30"H</p> <p><i>Use Suffix "L" for Left / "R" for Right!</i></p> <div style="border: 1px solid black; padding: 2px; font-size: small;"> <b>Note:</b> Solos have a CPU Rear Access Panel. To eliminate this feature (and have a fixed, full width Modesty Panel) take a credit of \$174. </div>	
<p style="text-align: center;"><b>POP TOP</b></p> Keyboard: KEYBOARD DRAWER with Sliding Mousetray Monitor: PIVOTING PANEL is designed to mount a 17" LCD DISPLAY. Panel pivots up to view. Features: FLUSH TABLETOP CPU: INTEGRATED CAB'T.		<p><b>CSws3724.POPT.LCD.L / R</b>    \$2175  37"W x 24"D x 30"H</p> <p><b>CSws4024.POPT.LCD.L / R</b>    \$2225  40"W x 24"D x 30"H</p> <p><b>CSws4324.POPT.LCD.L / R</b>    \$2275  43"W x 24"D x 30"H</p> <p><i>Use Suffix "L" for Left / "R" for Right!</i></p> <div style="border: 1px solid black; padding: 2px; font-size: small;"> <b>Note:</b> Solos have a CPU Rear Access Panel. To eliminate this feature (and have a fixed, full width Modesty Panel) take a credit of \$174. </div>	
<p style="text-align: center;"><b>FLIP TOP</b></p> Keyboard: KEYBOARD TRAY folds out of tabletop. Monitor: SUBMERGED bracket is designed to mount a 17" LCD DISPLAY. LCD pivots up to view. Features: FLUSH TABLETOP CPU: INTEGRATED CAB'T.		<p><b>CSws3724.FLIP.LCD.L / R</b>    \$2175  37"W x 24"D x 30"H</p> <p><b>CSws4024.FLIP.LCD.L / R</b>    \$2225  40"W x 24"D x 30"H</p> <p><b>CSws4324.FLIP.LCD.L / R</b>    \$2275  43"W x 24"D x 30"H</p> <p><i>Use Suffix "L" for Left / "R" for Right!</i></p> <div style="border: 1px solid black; padding: 2px; font-size: small;"> <b>Note:</b> Solos have a CPU Rear Access Panel. To eliminate this feature (and have a fixed, full width Modesty Panel) take a credit of \$174. </div>	
<b>Table Option</b>	<b>Description</b>	<b>Product Number</b>	<b>\$LIST</b>

See the [TABLE OPTIONS PAGE](#) for more detail on these options!

<b>1. 7-Outlet Surge Strip</b>	Black and Satin Aluminum with 6'-0" cord and grounded plug.	<b>CEss1000.SURG</b>	\$85
<b>2. 3-Circuit Power Package</b>	Modular 3-circuit system / 3 outlets per workstation.	<b>CEmp1000.MODU</b>	\$245
<b>3. Power Infeed (Hardwired)</b>	Use with Item 2. / 48" long Liquid-Tite whip with modular connector.	<b>CEhw1000.POIF</b>	\$129
<b>4. Basic Voice-Data Plate</b>	TelComm plate with (1) RJ11 & (2) RJ45's. This plate fits the 'knock-out' provided in the standard plastic wiremanager or the optional Front-Load Raceway. Note: the 'knock-out' will also fit other manufacturer's plates.	<b>CLvo1500.VODA</b>	\$129
<b>5. 27" Front-Load Raceway</b>	for 27"W workstation / Hinged panel @front for easy power and data access.	<b>CRfi2700.ACCS</b>	\$179
<b>6. 30" Front-Load Raceway</b>	for 30"W workstation / Hinged panel @front for easy power and data access.	<b>CRfi3000.ACCS</b>	\$189
<b>7. 33" Front-Load Raceway</b>	for 33"W workstation / Hinged panel @front for easy power and data access.	<b>CRfi3300.ACCS</b>	\$199
<b>8. Keyboard Drawer</b>	with Sliding Mousetray / Option <b>for Split Top only!</b>	<b>CKdw4000.KYBD</b>	\$299
<b>9. LCD Lockdown</b>	Flat panel monitor Security Feature <b>for Pop Top or Flip Top only!</b>	<b>CLdn5000.LCD</b>	\$59
<b>10. Computer Security</b>	Computer Security feature for all versions of product.	<b>See OPTIONS page.</b>	

<b>E O N D E S I G N S</b>  <b>S O L O</b>  <b>S M A R T</b> <b>C L A S S R O O M T A B L E S</b>  <b>PRICE LIST / SPECIFIER F.O.B. Norwich, CT</b> <b>effective 2009</b>	<b>&lt;&lt; SOLO &gt;&gt;</b> <b>Solo Smart Classroom Tables</b> <i>are designed with an integrated CPU cabinet. They can freestand, connect to each other or other components, as well as start or end a string of workstations. Solo Tables are "handed" units designated by the position of the CPU cabinet. Left-handed units are illustrated below.</i>	<b>GENERAL SPECIFICATIONS</b> 1. Std. workstations have wiremanagement, venting, levelers and a fully, accessible CPU cabinet. 2. Std. workstations have "passthru" capability for networking. 3. Support panels are Nevamar #MR-6-7T "Phantom Grey Matrix". All trim is Black. 4. List Pricing covers *(6) Standard Legacy Laminates on Desktops and Modesty Panels.  * See Classroom Tables Finishes Page.
---	--	--

<b>30" DEEP WORKSTATIONS</b>	<b>Table / Size</b>	<b>\$LIST</b>
------------------------------	---------------------	---------------

<p style="text-align: center;"><b>SPLIT TOP</b></p> Keyboard: TABLETOP Option: KEYBOARD DRAWER Monitor: RECESSED WELL is designed for a LCD DISPLAY (up to a 21" screen). Includes cord drop. CPU: INTEGRATED CAB'T.		<p><b>CSws3730.SPLT.LCD.L / R</b> \$1625 37"W x 30"D x 30"H</p> <p><b>CSws4030.SPLT.LCD.L / R</b> \$1675 40"W x 30"D x 30"H</p> <p><b>CSws4330.SPLT.LCD.L / R</b> \$1725 43"W x 30"D x 30"H</p> <p><i>Use Suffix "L" for Left / "R" for Right!</i></p> <div style="border: 1px solid black; padding: 2px; font-size: small;"> <b>Note:</b> Solos have a CPU Rear Access Panel. To eliminate this feature (and have a fixed, full width Modesty Panel) take a credit of \$174. </div>	
<p style="text-align: center;"><b>POP TOP</b></p> Keyboard: KEYBOARD DRAWER with Sliding Mousetray Monitor: PIVOTING PANEL is designed to mount a 17" LCD DISPLAY. Panel pivots up to view. Features: FLUSH TABLETOP CPU: INTEGRATED CAB'T.		<p><b>CSws3730.POPT.LCD.L / R</b> \$2225 37"W x 30"D x 30"H</p> <p><b>CSws4030.POPT.LCD.L / R</b> \$2275 40"W x 30"D x 30"H</p> <p><b>CSws4330.POPT.LCD.L / R</b> \$2325 43"W x 30"D x 30"H</p> <p><i>Use Suffix "L" for Left / "R" for Right!</i></p> <div style="border: 1px solid black; padding: 2px; font-size: small;"> <b>Note:</b> Solos have a CPU Rear Access Panel. To eliminate this feature (and have a fixed, full width Modesty Panel) take a credit of \$174. </div>	
<p style="text-align: center;"><b>FLIP TOP</b></p> Keyboard: KEYBOARD TRAY folds out of tabletop. Monitor: SUBMERGED bracket is designed to mount a 17" LCD DISPLAY. LCD pivots up to view. Features: FLUSH TABLETOP CPU: INTEGRATED CAB'T.		<p><b>CSws3730.FLIP.LCD.L / R</b> \$2225 37"W x 30"D x 30"H</p> <p><b>CSws4030.FLIP.LCD.L / R</b> \$2275 40"W x 30"D x 30"H</p> <p><b>CSws4330.FLIP.LCD.L / R</b> \$2325 43"W x 30"D x 30"H</p> <p><i>Use Suffix "L" for Left / "R" for Right!</i></p> <div style="border: 1px solid black; padding: 2px; font-size: small;"> <b>Note:</b> Solos have a CPU Rear Access Panel. To eliminate this feature (and have a fixed, full width Modesty Panel) take a credit of \$174. </div>	
<b>Table Option</b>	<b>Description</b>	<b>Product Number</b>	<b>\$LIST</b>

See the [TABLE OPTIONS PAGE](#) for more detail on these options!

<b>1. 7-Outlet Surge Strip</b>	Black and Satin Aluminum with 6'-0" cord and grounded plug.	<b>CEss1000.SURG</b>	\$85
<b>2. 3-Circuit Power Package</b>	Modular 3-circuit system / 3 outlets per workstation.	<b>CEmp1000.MODU</b>	\$245
<b>3. Power Infeed (Hardwired)</b>	Use with Item 2. / 48" long Liquid-Tite whip with modular connector.	<b>CEhw1000.POIF</b>	\$129
<b>4. Basic Voice-Data Plate</b>	TelComm plate with (1) RJ11 & (2) RJ45's. This plate fits the 'knock-out' provided in the standard plastic wiremanager or the optional Front-Load Raceway. Note: the 'knock-out' will also fit other manufacturer's plates.	<b>CLvo1500.VODA</b>	\$129
<b>5. 27" Front-Load Raceway</b>	for 27"W workstation / Hinged panel @front for easy power and data access.	<b>CRfi2700.ACCS</b>	\$179
<b>6. 30" Front-Load Raceway</b>	for 30"W workstation / Hinged panel @front for easy power and data access.	<b>CRfi3000.ACCS</b>	\$189
<b>7. 33" Front-Load Raceway</b>	for 33"W workstation / Hinged panel @front for easy power and data access.	<b>CRfi3300.ACCS</b>	\$199
<b>8. Keyboard Drawer</b>	with Sliding Mousetray / Option <b>for Split Top only!</b>	<b>CKdw4000.KYBD</b>	\$299
<b>9. LCD Lockdown</b>	Flat panel monitor Security Feature <b>for Pop Top or Flip Top only!</b>	<b>CLdn5000.LCD</b>	\$59
<b>10. Computer Security</b>	Computer Security feature for all versions of product.	See <b>OPTIONS page.</b>	