

E O N D E S I G N S

# ADAMENTOR

A D A C O N S O L E S

PRICE LIST / SPECIFIER F.O.B. Norwich, CT  
effective 2010

## << ADAMENTOR >>

is an instructional console featuring an ADA-compliant desk and various modular cabinet add-ons.  
ADAMENTOR has adjustable height desktop, rack & document camera storage, and casters options.  
Cutouts for Extron, Crestron, and other devices offered at no charge.

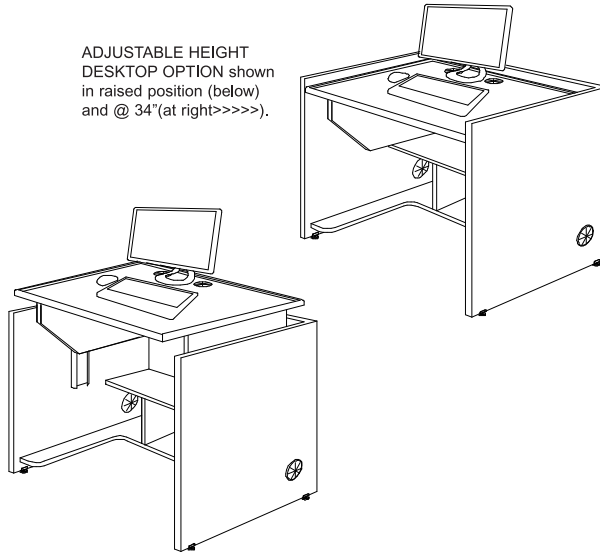
## GENERAL SPECIFICATIONS

1. Components have 60MM & 80MM cable grommets, integrated wiremanagement and levelers.
2. Rack Cabinets have front rack rails, front & rear lockable door and passive venting.
3. Standard Laminate Finishes: Fusion Maple, Wild Cherry, Phantom Gray, and Black. See Flash Podium.
4. On laminate finishes edgebanding and trim is Black.
5. Call the factory for custom laminate and wood finishes.

### ADA DESKS

Size: 39"W x 30"D x 36"H  
Surface: 34"H Fixed Top / (2) 60mm grommets, (1) pencil stop laptop power-data&VGA  
Option: 34"- 44" High Adjustable  
Monitor Options: LCD on surface  
LCD in recessed well  
LCD on monitor arm  
CPU: Not Available  
Features: Storage Shelves / Wire Management / Cable Pass / Floor Levelers  
Other Options: Casters (wheels)  
Desktop Cutouts: SPECIFY and LOCATE (no additional charges)

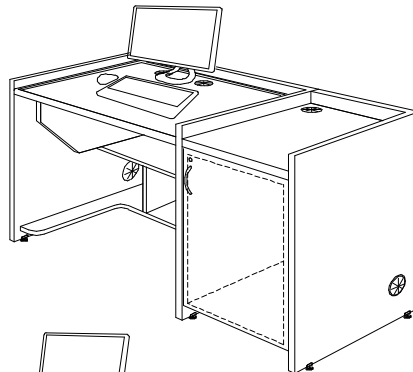
ADJUSTABLE HEIGHT DESKTOP OPTION shown in raised position (below) and @ 34"(at right>>>>).



### CABINET OPTIONS

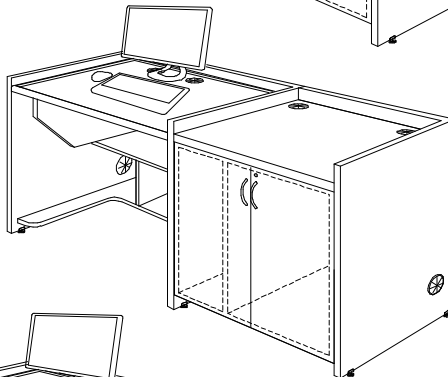
#### 1. RACK CABINET / 12RU

Size: 20"W x 30"D x 36"H  
Features: 34"H Fixed Top with (1) grommet & pencil stop. Front Door / locked. 12RU Front Rack Rails. Rear Access / locked. Cable Pass-thru and Floor Levelers.



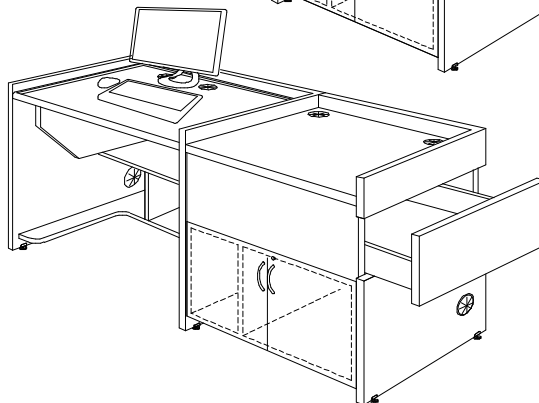
#### 2. RACK CABINET / 12RU / TOWER STORAGE

Size: 30"W x 30"D x 36"H  
Features: 34"H Fixed Top with (2) grommets & pencil stop. Pair of Doors / locked. CPU Tower Storage. 12RU Front Rack Rails. Rear Access / locked. Cable Pass-thru and Floor Levelers.



#### 3. DOC. CAMERA DRAWER / RACK CAB'T. / 8 RU

Size: 30"W x 30"D x 36"H  
Features: 34"H Fixed Top with (2) grommets & pencil stop. Document Camera Drawer (locked) opens @ Right end. Pair of Doors below / locked. MiniTower Storage. 8RU Front Rack Rails. Rear Access / locked. Cable Pass-thru and Floor Levelers.



Unit / Description	\$LIST
--------------------	--------

**ADAM.3930.36.FD.LS.FL** \$1,995  
Fixed Desktop / Floor Levelers  
Standard Laminate Finish

**Option 1. / Adjustable Height Desktop / 34"- 44" /** \$1,295  
Whisper-quiet Electric Lift

**Option 2. / Recessed Well in desktop / 18" - 22" moni-** \$350  
tors recess into desktop.

**Option 3. / Monitor Arm /** \$329  
Hopper by K&V

**Option 4. / Casters in** \$95  
place of floor levelers.

**Option 5. / Desktop** \$00  
cutouts at no additional charge. Please specify.

Unit / Description	\$LIST
--------------------	--------

**ADAM.2030.36.RC.12.RU** \$2,095  
Rack Cabinet / 12RU

**Option 4. / Casters in** \$95  
place of floor levelers.

**Option 5. / Desktop** \$00  
cutouts at no additional charge. Please specify.

**ADAM.3030.36.RC.12.TW** \$2,995  
Rack Cabinet / 12RU /  
Tower Storage

**Option 4. / Casters in** \$95  
place of floor levelers.

**Option 5. / Desktop** \$00  
cutouts at no additional charge. Please specify.

**ADAM.3030.36.DC.RC.08** \$3,895  
Document Camera Drawer /  
Rack Cabinet / 8 RU

**Option 4. / Casters in** \$95  
place of floor levelers.

**Option 5. / Desktop** \$00  
cutouts at no additional charge. Please specify.

Unit / TOTAL	\$LIST
--------------	--------

\$ .00